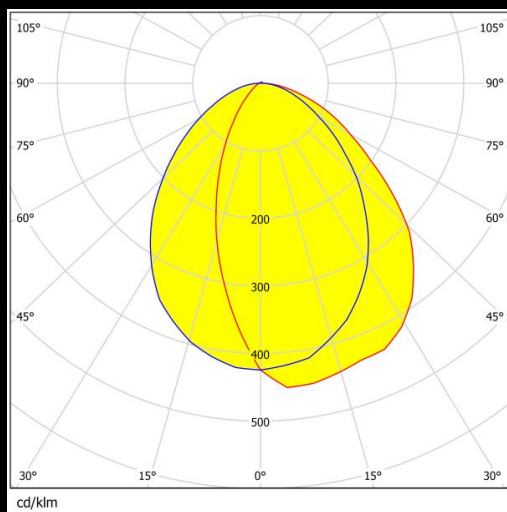
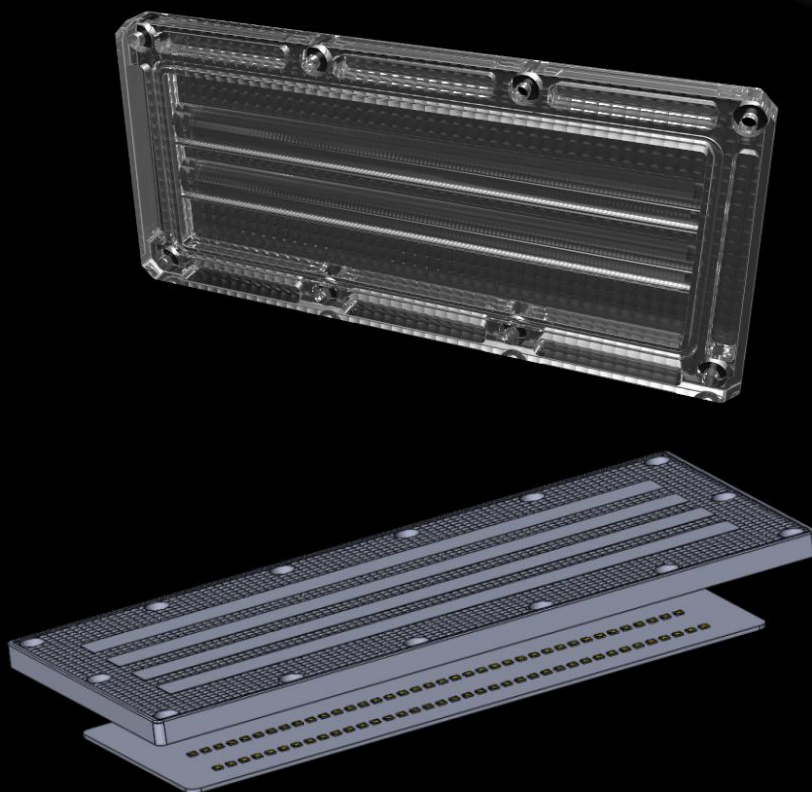


Data Sheet

HH-250-2-xx-PH3030



深圳市汉辉光电有限公司
shenzhen hanhui photoelectric co., Ltd.

地址：深圳市宝安区石岩街道石龙仔社区恒昌荣高科技科技园3栋3楼
ADD: Area A No.3 Building 3th Floor, Hengchang Rong Industrial
park shiyan, shilong community, Bao'an District, shenzhen, china
TEL: 86-755-29232420 FAX: 86-755-83723765
<http://www.szhanhui.com> <http://liinsen4880.1688.com>



Data Sheet

catalogue

General Information	P.1
Optical Specifications	P.2
Mechanical Specifications	P.3
Package Specifications	P.4

*Product Nomenclature

HH-250-2-xx-PH3030

H1 H2 H3 H4 H5 H6

H1: The company's initials in Pinyin (Han Hui)

H2: Mold number

H3: Lens quantity

H4: Lens angle/type (ex: 60、90、T2M、T3M)

H5: LED type (ex: CREE-CR、SAMSUNG-SS、PHILIPS-PH.....)

H6: LED size (ex:2835、3030、3535、.....)



HH-250-2-xx-PH3030

General Information

v1.0_20181107

◆ Features & Typical Applications

- High efficiency
- optimized Uniformity
- Lens without Holder
- WallPacks

◆ Material Information

Lens Material: PC 1225Z

Operating Temperature range $-40^{\circ}\text{C} \sim +110^{\circ}\text{C}$ (upper limit $+120^{\circ}\text{C}$).

Storage Temperature range $-40^{\circ}\text{C} \sim +110^{\circ}\text{C}$ (upper limit $+120^{\circ}\text{C}$).

*Average transmittance in visible spectrum $400\text{nm} \sim 700\text{nm} > 90\%$.

◆ Usage and Maintenance

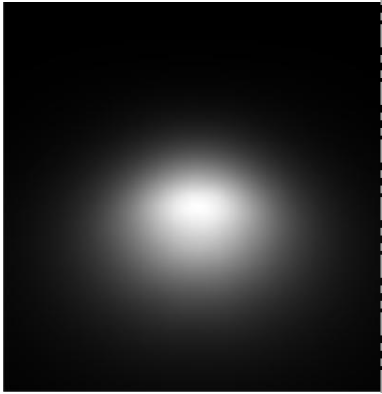
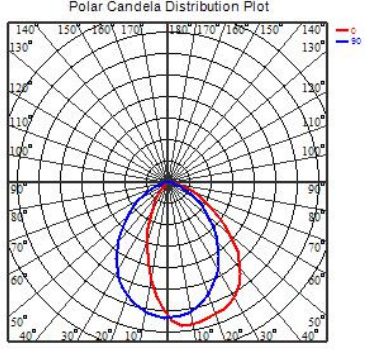
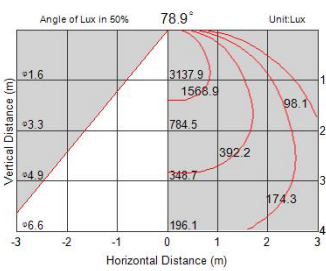
1. If necessary, clean lenses with mild soap, water and soft cloth.
2. Never use any commercial cleaning solvents on lenses, like alcohol.
3. Please handle or install lenses with wearing gloves, skin oils may damage lens or its optical characteristic.



HH-250-2-xx-PH3030

Optical Specifications

v1.0_20181107

Part Number	FWHM	Candela Distribution Type	IES File			
HH-250-2-xx-PH3030	60x85	DLC-C	Download			
						
Beam Pattern	Candela Distribution	Illuminance Distribution				
Light Output and Zonal Lumen Distribution						
	Zone	Lumens	%Lamp	%Fixt		
	0-20	1054.04	14.30	16.90		
	0-30	2115.12	28.60	33.80		
	0-40	3279.92	44.40	52.50		
	0-60	5197.41	70.30	83.20		
	0-80	6071.5	82.10	97.20		
	0-90	6180.76	83.60	98.90		
	10-90	5892.79	79.70	94.30		
	20-40	2225.88	30.10	35.60		
	20-50	3304.54	44.70	52.90		
	40-70	2478.04	33.50	39.70		
	60-80	874.08	11.80	14.00		
	70-80	313.54	4.20	5.00		
	80-90	109.26	1.50	1.70		
	90-110	26.81	0.40	0.40		
	90-120	38.48	0.50	0.60		
	90-130	49.42	0.70	0.80		
	90-150	63.89	0.90	1.00		
	90-180	68.69	0.90	1.10		
	110-180	41.87	0.60	0.70		
	0-180	6249.45	84.50	100.00		
Primary Use Letter	Primary Use Designation	Minimum Light Output (lm)	Zone/Spacing Criteria	ZLD/SC Nominal Requirement	ZLD/SC Tolerance	ZLD/SC Requirement with Tolerance
A	Outdoor Pole/Arm-Mounted Area and Roadway Luminaires	1,000	0-90°	100%	-1%	≥99%
			80-90°	≤10%	+3%	≤13%
B	Outdoor Pole/Arm-Mounted Decorative Luminaires	1,000	0-90°	≥65%	-3%	≥62%
C	Outdoor Full-Cutoff Wall-Mounted Area Luminaires	300	0-90°	100%	-3%	≥97%
			80-90°	≤10%	+3%	≤13%



HH-250-2-xx-PH3030

Mechanical Specification

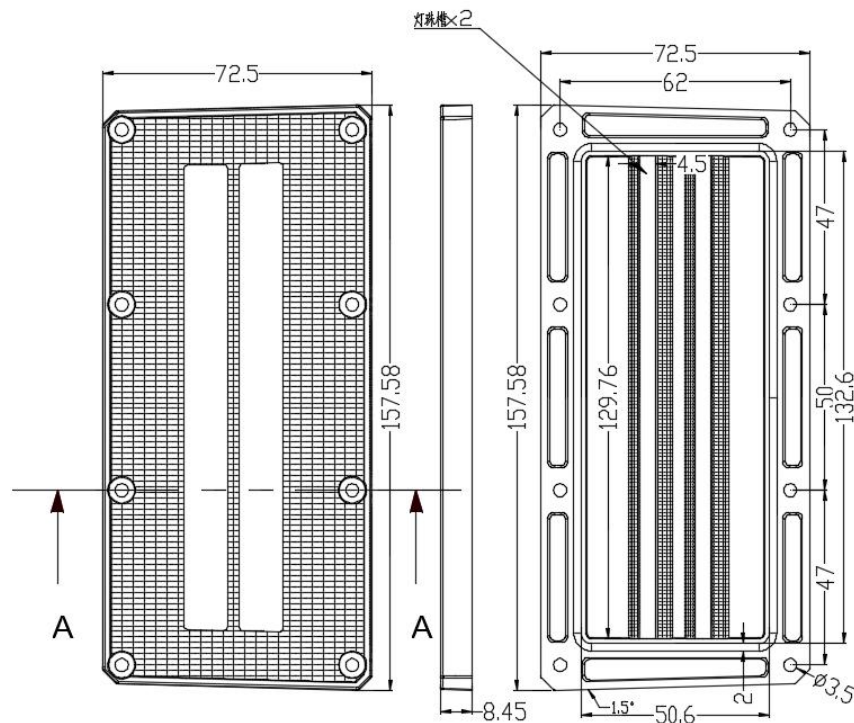
v1.0_20181107

Note: (1) All dimensions are in mm.
(2) All measurements are $\pm 0.15\text{mm}$ unless otherwise indicated.

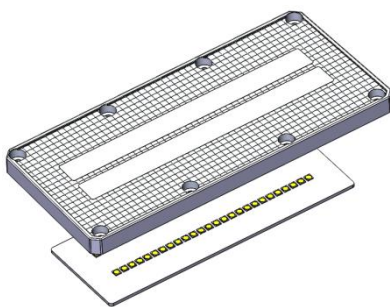
1. Fixing method

Glue Screw Tape Fixing-ring Frame

2. Lens dimension



3. Assembly instruction



4. View assembly lens with MCPCB

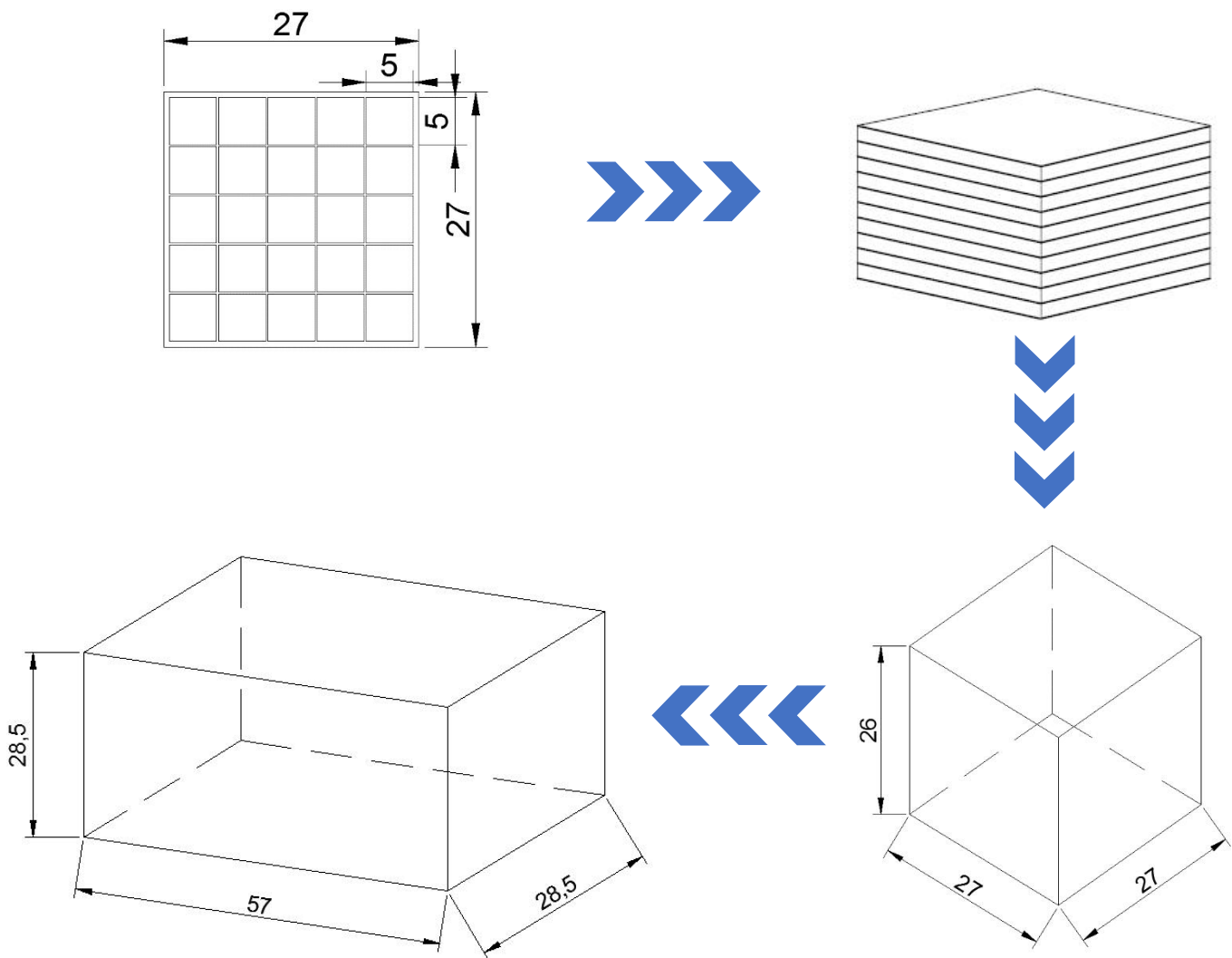


HH-250-2-xx-PH3030

Mechanical Specification

v1.0_20181107

Item	Quantity	Total	Size(L*W*H)	G.W
plastic box	xx PCS/tier	xx PCS	27*27*26cm	
outer box	xx plastic box/outer box	xx PCS	57*28.5*28.5cm	



Note:

