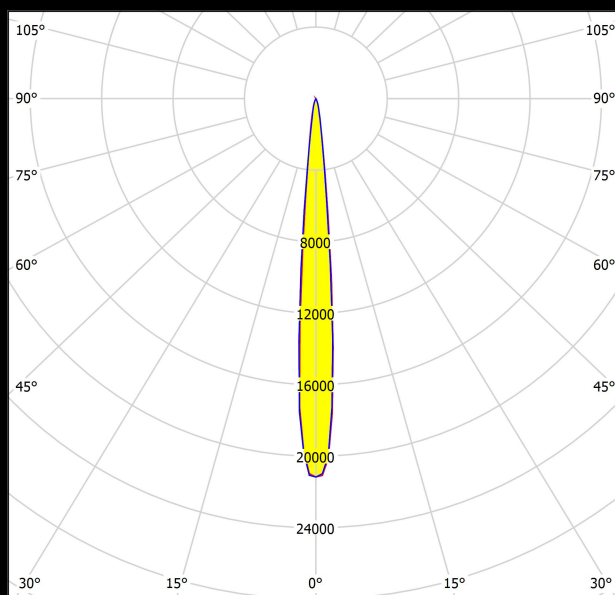
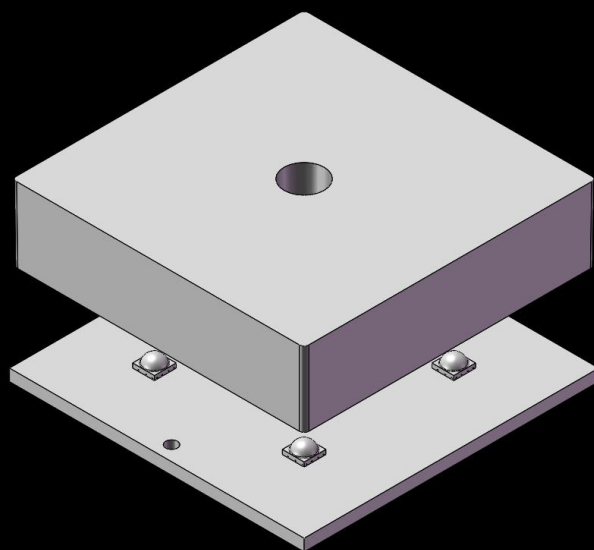
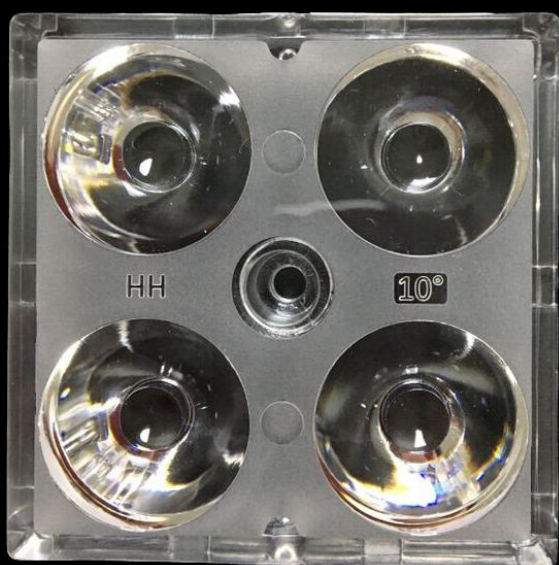


# Data Sheet

## HH-333-1-10-OS3737



**深圳市汉辉光电有限公司**  
shenzhen hanhui photoelectric co.,Ltd.

地址：深圳市宝安区石岩街道石龙仔社区恒昌荣高科技科技园3栋3楼  
ADD: Area A No.3 Building 3th Floor,Hengchang Rong Industrial  
park shiyan,shilong community,Bao'an District,shenzhen,china  
TEL:86-755-29232420 FAX:86-755-83723765  
<http://www.szhanhui.com> <http://linsen4880.1688.com>



# Data Sheet

## catalogue

General Information	.....	P.1
Optical Specifications	.....	P.2
Mechanical Specifications	.....	P.3
Package Specifications	.....	P.4

### \*Product Nomenclature

HH-333-1-XX-OS3737

H1      H2      H3      H4      H5      H6

H1 : The company's initials in Pinyin (Han Hui)

H2 : Mold number

H3 : The number of lamp beads inside each optical surface

H4 : Lens angle/type (ex : 60、90、T2M、T3M)

H5 : LED type (ex : CREE-CR、SAMSUNG-SS、PHILIPS-PH.....)

H6 : LED size (ex:2835、3030、3535、.....)



## ◆ Features & Typical Applications

- Available with 1 beam angles
- High efficiency
- optimized Uniformity
- Lens without Holder
- Flood Light

## ◆ Material Information

Lens Material: PC 1225Z

Operating Temperature range  $-40^{\circ}\text{C} \sim +110^{\circ}\text{C}$  (upper limit  $+120^{\circ}\text{C}$ ).

Storage Temperature range  $-40^{\circ}\text{C} \sim +110^{\circ}\text{C}$  (upper limit  $+120^{\circ}\text{C}$ ).

\*Average transmittance in visible spectrum  $400\text{nm} \sim 700\text{nm} > 90\%$ .

## ◆ Usage and Maintenance

1. If necessary, clean lenses with mild soap, water and soft cloth.
2. Never use any commercial cleaning solvents on lenses, like alcohol.
3. Please handle or install lenses with wearing gloves, skin oils may damage lens or its optical characteristic.

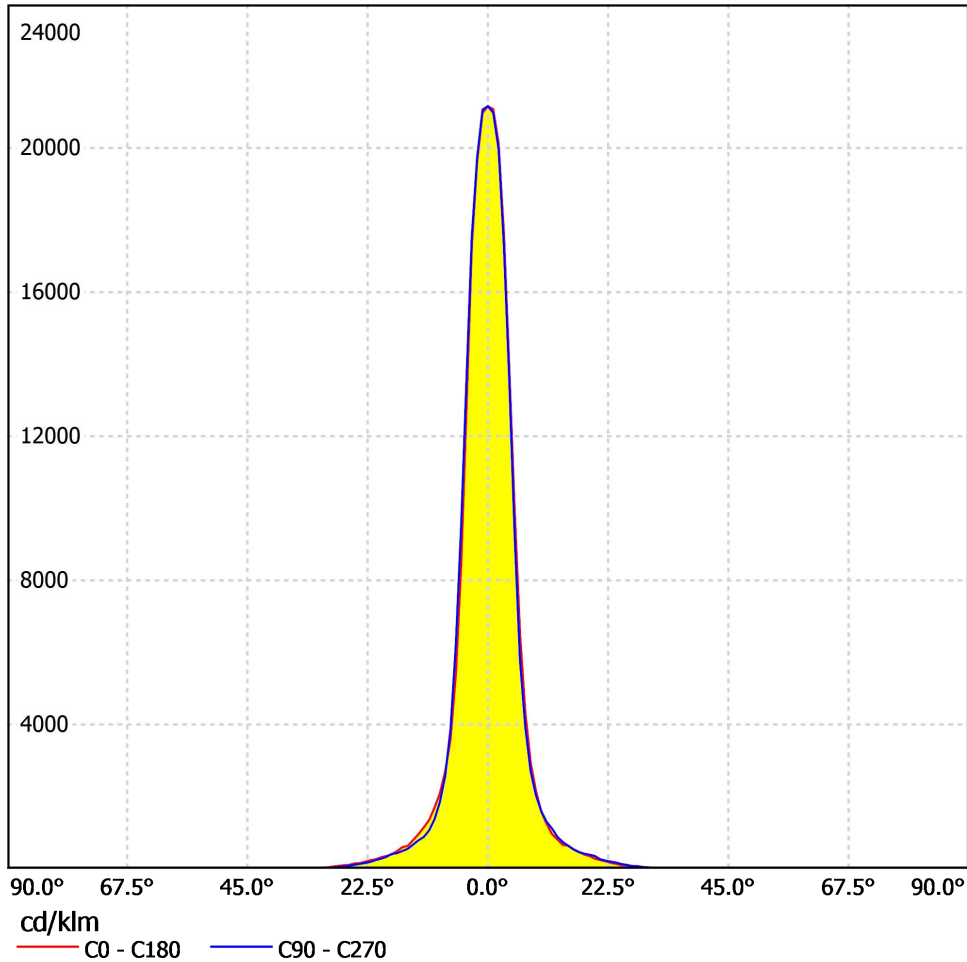


# HH-333-1-10-OS3737

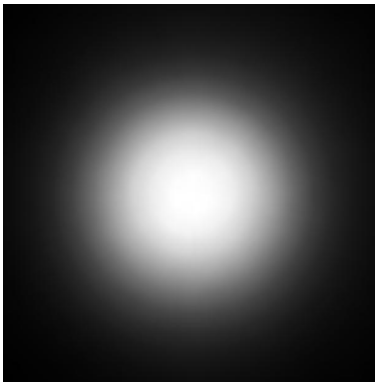
## Optical Specifications

v1.0\_20191206

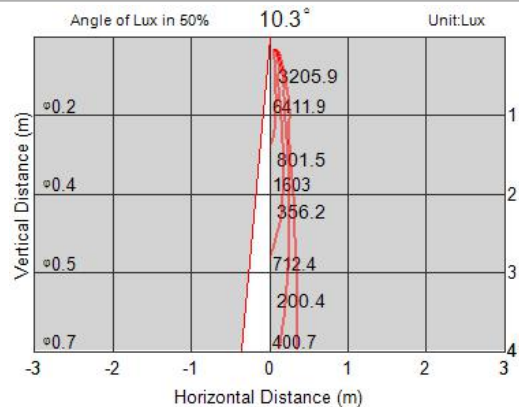
Part Number	FWHM	Field Angle *	cd/lm	IES File
HH-333-1-10-OS3737	10°	18°	20.3	<a href="#">Download</a>



Candela Distribution



Beam Pattern



Illuminance Distribution





# HH-333-1-10-OS3737

## Mechanical Specification

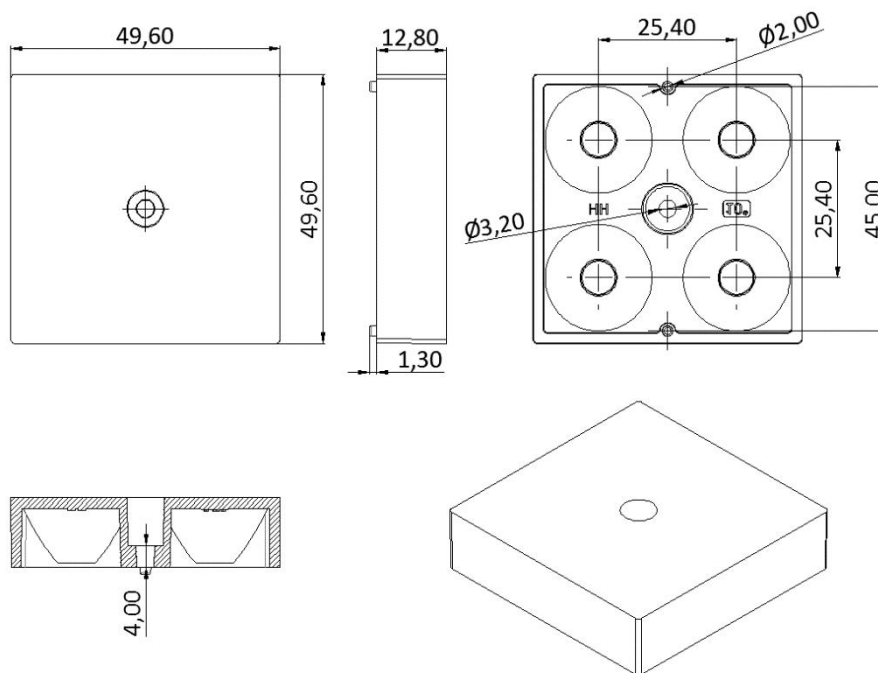
v1.0\_20191206

Note: (1) All dimensions are in mm.  
(2) All measurements are  $\pm 0.15\text{mm}$  unless otherwise indicated.

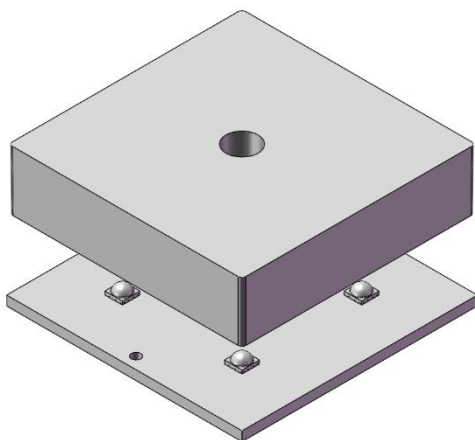
### 1. Fixing method

Glue       Screw       Tape       Fixing-ring       Frame

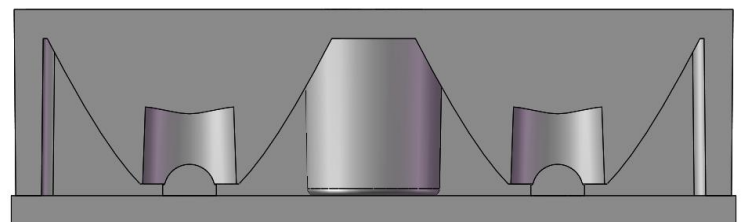
### 2. Lens dimension



### 3. Assembly instruction



### 4. View assembly lens with MCPCB

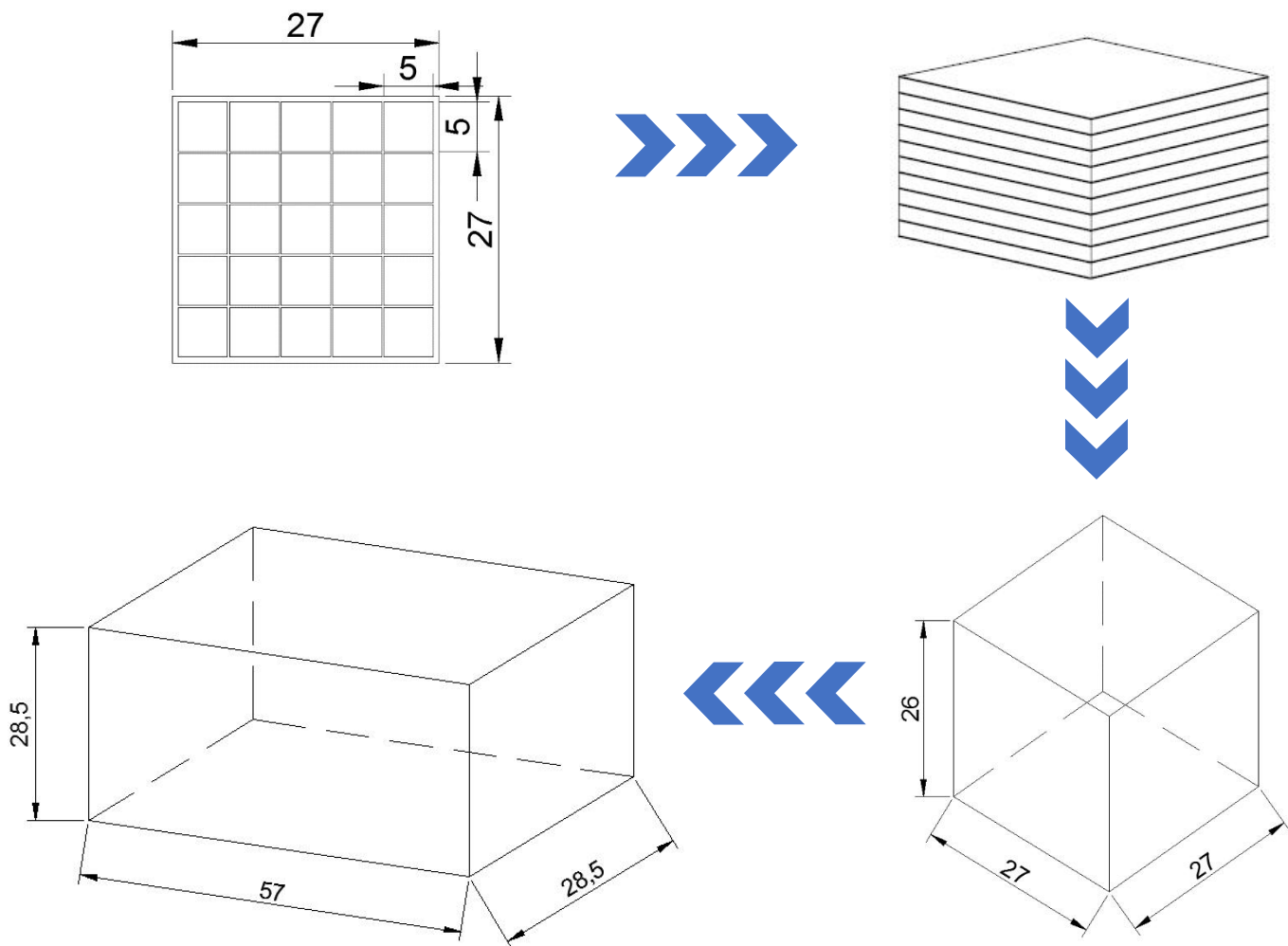


# HH-333-1-10-OS3737

## Package Specifications

v1.0\_20191206

Item	Quantity	Total	Size(L*W*H)	G.W
plastic box	25 PCS/tier	-	27*27*26cm	
outer box	2 plastic box/outer box	-	57*28.5*28.5cm	



Note:

