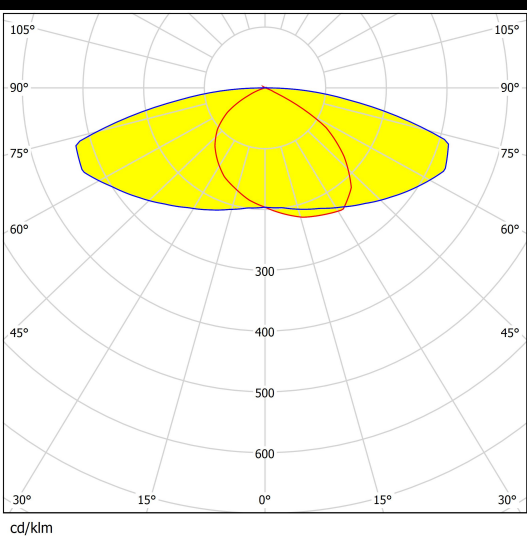
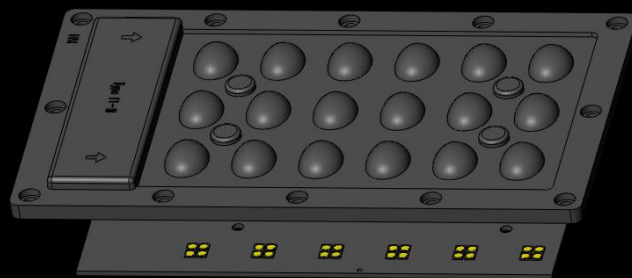


Data Sheet

HH-168-18×4-T2-PH3030



深圳市汉辉光电有限公司
shenzhen hanhui photoelectric co., Ltd.

地址：深圳市宝安区石岩街道石龙仔社区恒昌荣高科科技园3栋3楼
ADD: Area A No.3 Building 3th Floor, Hengchang Rong Industrial
park shiyan, shilong community, Bao'an District, shenzhen, china
TEL: 86-755-29232420 FAX: 86-755-83723765
<http://www.szhanhui.com> <http://linsen4880.1688.com>



Data Sheet

catalogue

General Information	P.1
Optical Specifications	P.2
Mechanical Specifications	P.3
Package Specifications	P.4

*Product Nomenclature

HH-168-18 × 4-T2-PH3030

H1 H2 H3 H4 H5 H6 H7

H1 : The company's initials in Pinyin (Han Hui)

H2 : Mold number

H3 : Lens quantity

H4 : The number of lamp beads inside each optical surface

H5 : Lens angle/type (ex : 60、90、T2M、T3M)

H6 : LED type (ex : CREE-CR、SAMSUNG-SS、PHILIPS-PH.....)

H7 : LED size (ex:2835、3030、3535、.....)



HH-168-18×4-T2-PH3030

General Information

v1.0_20181107

◆ Features & Typical Applications

- Available with 1 beam angles
- High efficiency
- optimized Uniformity
- Lens without Holder
- Roadway Lighting

◆ Material Information

Lens Material: PC 1225Z

Operating Temperature range $-40^{\circ}\text{C} \sim +110^{\circ}\text{C}$ (upper limit $+120^{\circ}\text{C}$).

Storage Temperature range $-40^{\circ}\text{C} \sim +110^{\circ}\text{C}$ (upper limit $+120^{\circ}\text{C}$).

*Average transmittance in visible spectrum $400\text{nm} \sim 700\text{nm} > 90\%$.

◆ Usage and Maintenance

1. If necessary, clean lenses with mild soap, water and soft cloth.
2. Never use any commercial cleaning solvents on lenses, like alcohol.
3. Please handle or install lenses with wearing gloves, skin oils may damage lens or its optical characteristic.

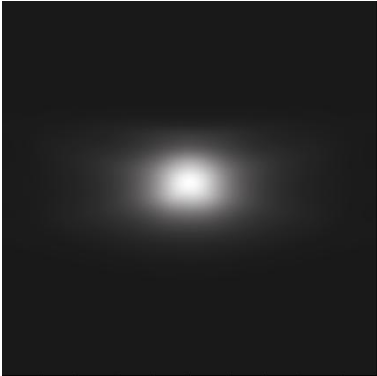


HH-168-18×4-T2-PH3030

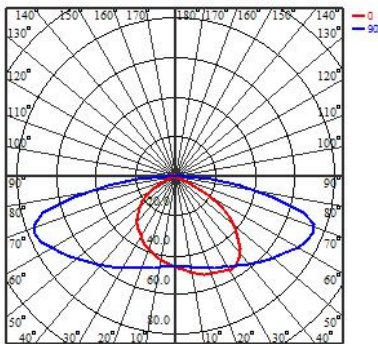
Optical Specifications

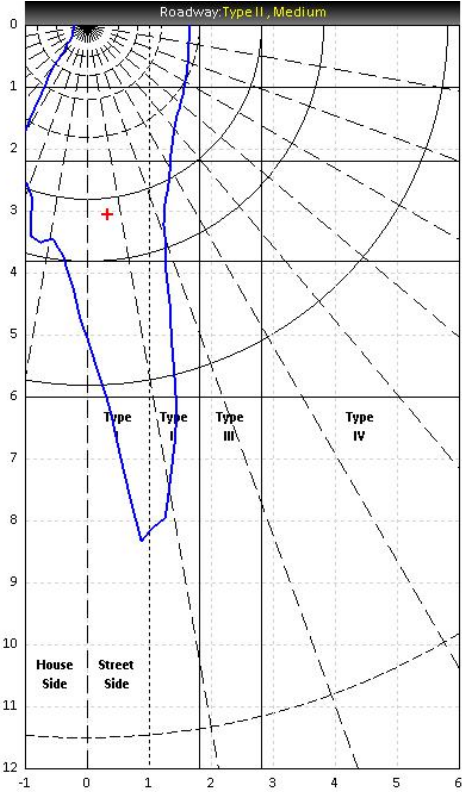
v1.0_20181107

Part Number	FWHM	Candela Distribution Type	IES File
HH-168-18×4-T2M-PH3030	95×160	Type II Medium	Download

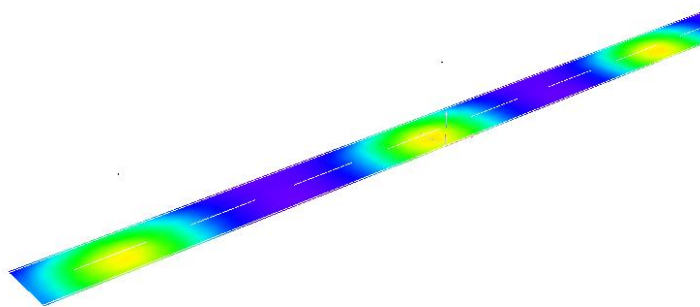


Polar Candela Distribution Plot





DIALux Simulation Result (two lanes、R3W3、ME4a)



Note: Lav-Average Luminance
 U₀-Brightness Uniformity
 U_L-Brightness longitudinal Uniformity
 TI-Threshold increment
 SR-Surround ratio

Recommend configuration condition	
Luminous Flux	15000lm
Lamp Collocation	Unilateral
Height	10m
Distance	40m
Roadwidth	7.5m
Elevation	0°
Overhang	1m
Result	
Lav	1.09
U ₀	0.49
U _L	0.83
TI(%)	11
SR	0.76



HH-168-18×4-T2-PH3030

Mechanical Specification

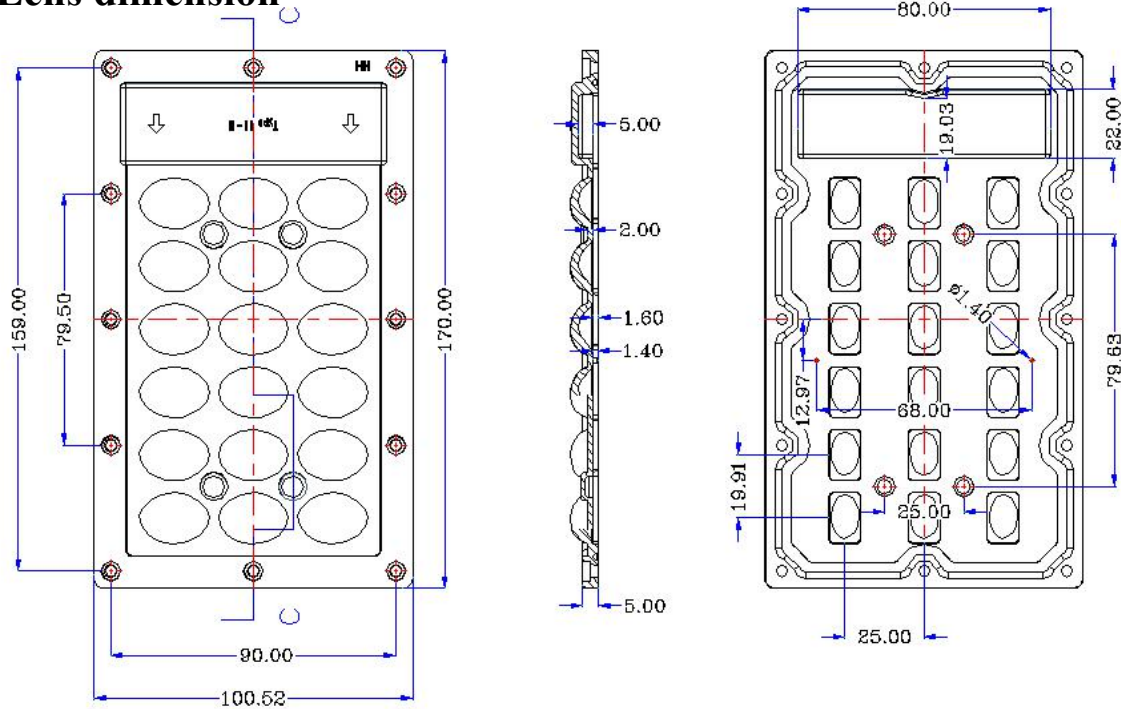
v1.0_20181107

Note: (1) All dimensions are in mm.
(2) All measurements are $\pm 0.15\text{mm}$ unless otherwise indicated.

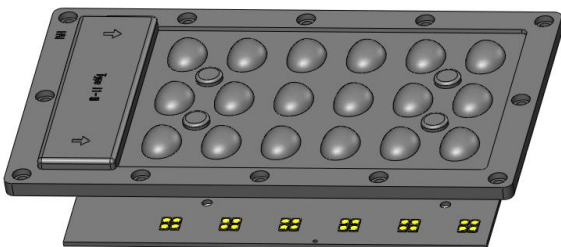
1. Fixing method

- Glue Screw Tape Fixing-ring Frame

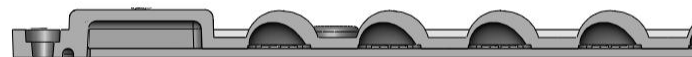
2. Lens dimension



3. Assembly instruction



4. View assembly lens with MCPCB

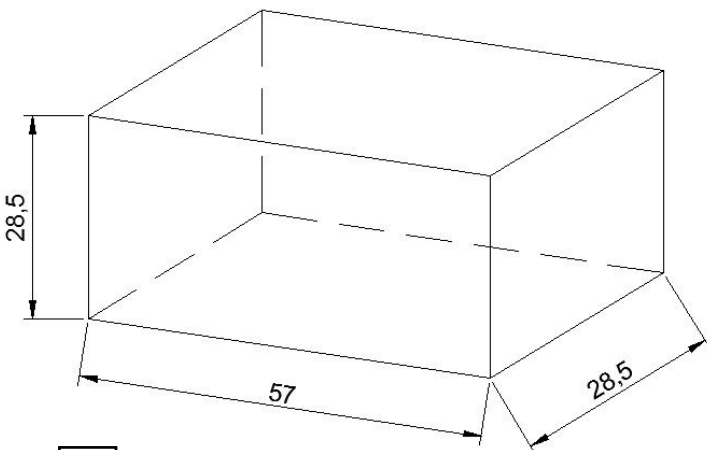
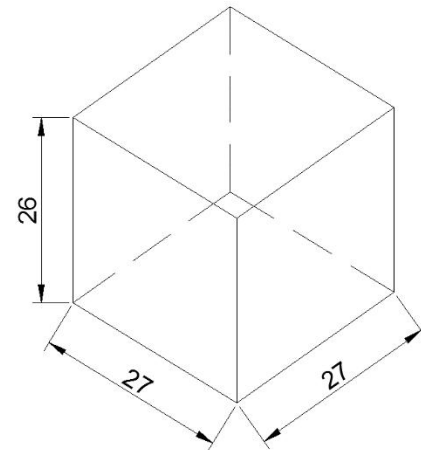
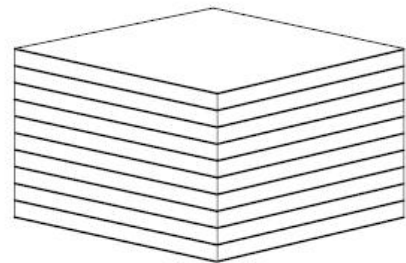
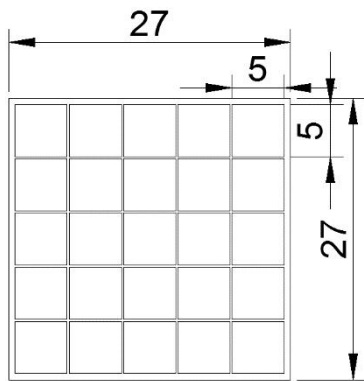


HH-168-18×4-T2-PH3030

Package Specifications

v1.0_20181107

Item	Quantity	Total	Size(L*W*H)	G.W
plastic box	25 PCS/tier	1000 PCS	27*27*26cm	
outer box	2 plastic box/outer box	2000 PCS	57*28.5*28.5cm	



Note:

