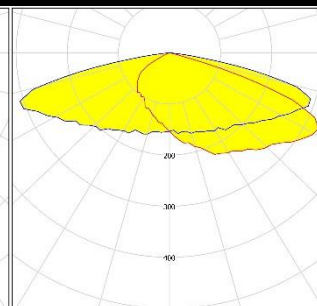
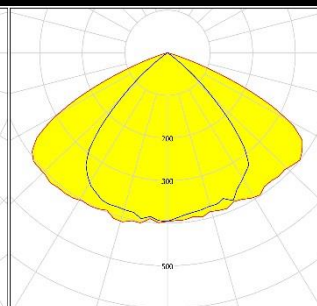
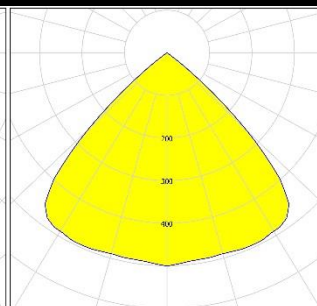
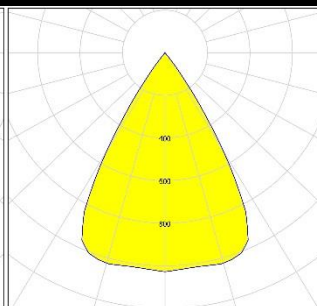
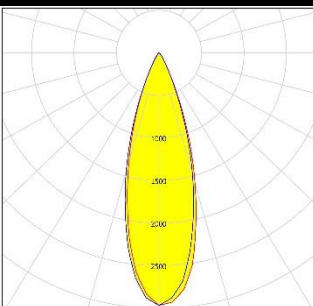
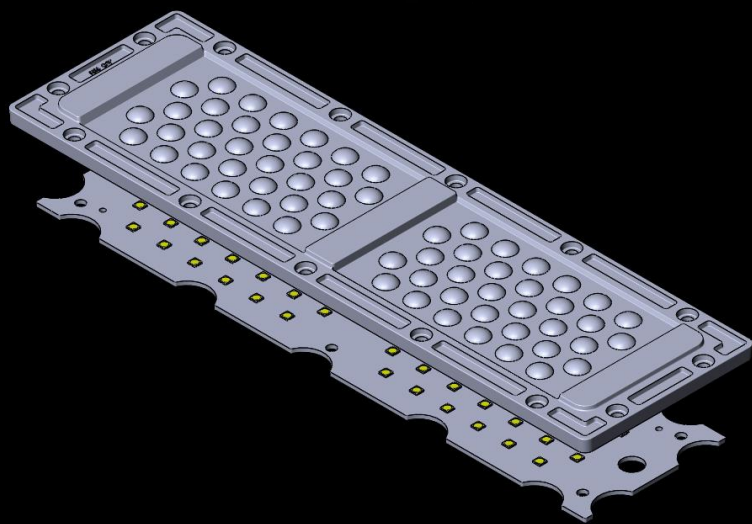
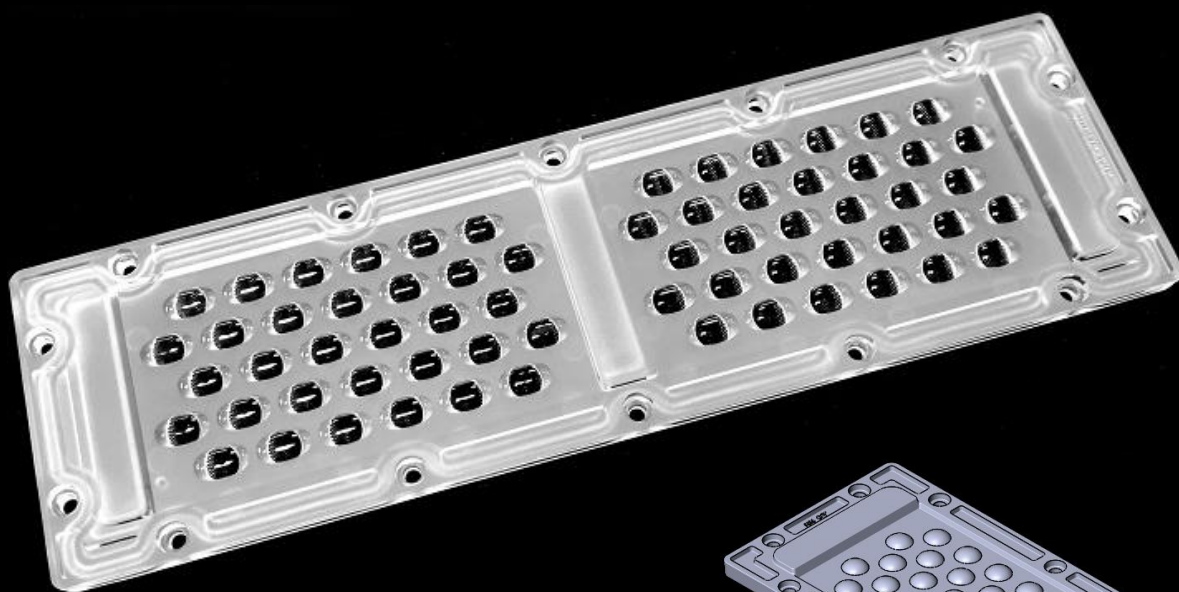


Data Sheet

HH-242-64×1-xx-PH3030



深圳市汉辉光电有限公司

shenzhen hanhui photoelectric co.,Ltd.

地址：深圳市宝安区石岩街道石龙仔社区恒昌荣高科科技园3栋3楼
ADD: Area A No.3 Building 3th Floor,Hengchang Rong Industrial
park shiyan,shilong community,Bao'an District,shenzhen,china

TEL:86-755-29232420 FAX:86-755-83723765
<http://www.szhanhui.com> <http://linsen4880.1688.com>



Data Sheet

catalogue

General Information	P.1
Optical Specifications	P.2-4
Mechanical Specifications	P.5
Package Specifications	P.6

*Product Nomenclature

HH-242-64 × 1-xx-PH3030

H1 H2 H3 H4 H5 H6 H7

H1 : The company's initials in Pinyin (Han Hui)

H2 : Mold number

H3 : Lens quantity

H4 : The number of lamp beads inside each optical surface

H5 : Lens angle/type (ex : 60、90、T2M、T3M)

H6 : LED type (ex : CREE-CR、SAMSUNG-SS、PHILIPS-PH.....)

H7 : LED size (ex:2835、3030、3535、.....)



HH-242-64×1-xx-PH3030

General Information

v1.0_20190107

◆ Features & Typical Applications

- Available with 5 beam angles
- High efficiency
- optimized Uniformity
- Lens without Holder
- Roadway Light
- Flood Light

◆ Material Information

Lens Material: PC 1225Z

Operating Temperature range $-40^{\circ}\text{C} \sim +110^{\circ}\text{C}$ (upper limit $+120^{\circ}\text{C}$).

Storage Temperature range $-40^{\circ}\text{C} \sim +110^{\circ}\text{C}$ (upper limit $+120^{\circ}\text{C}$).

*Average transmittance in visible spectrum $400\text{nm} \sim 700\text{nm} > 90\%$.

◆ Usage and Maintenance

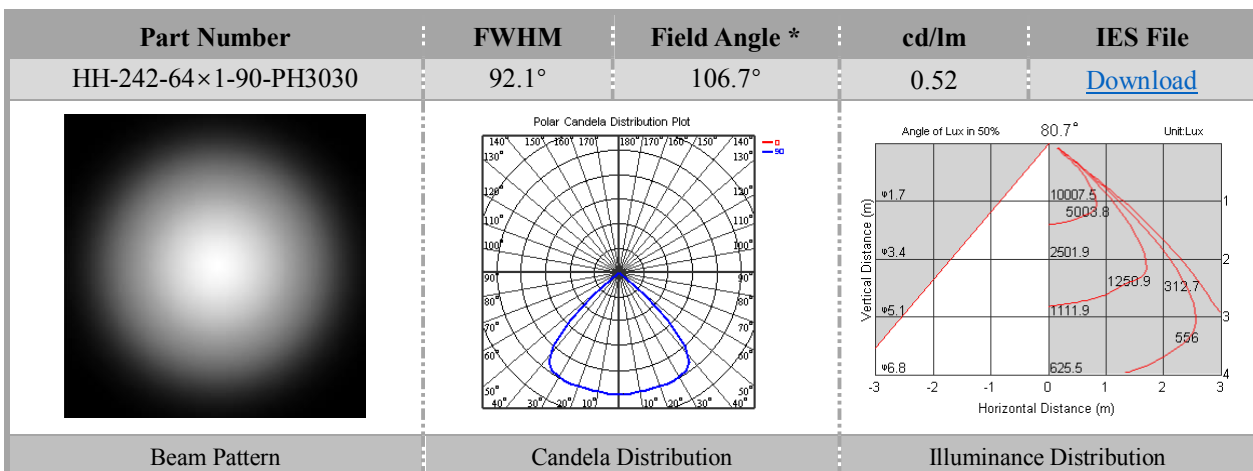
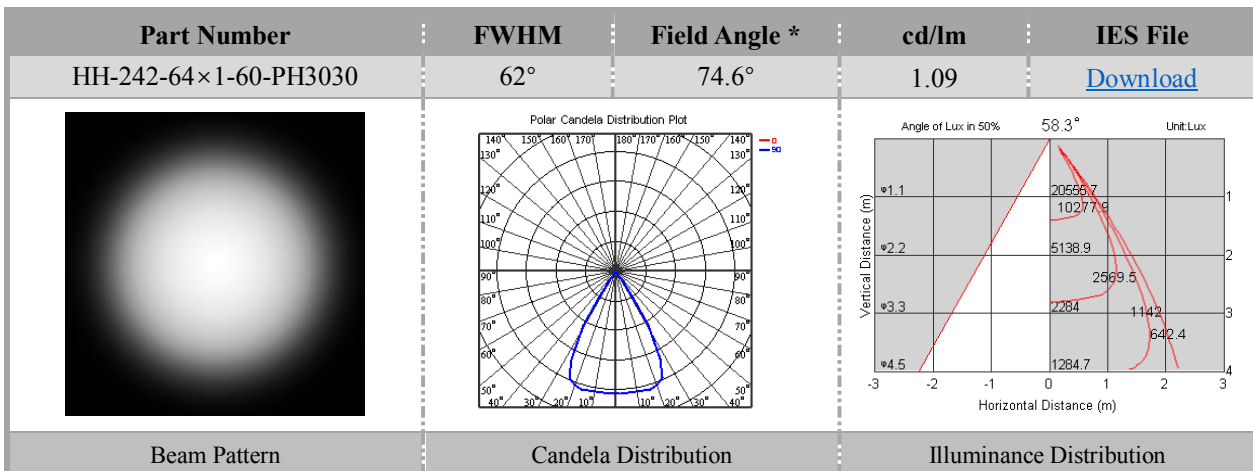
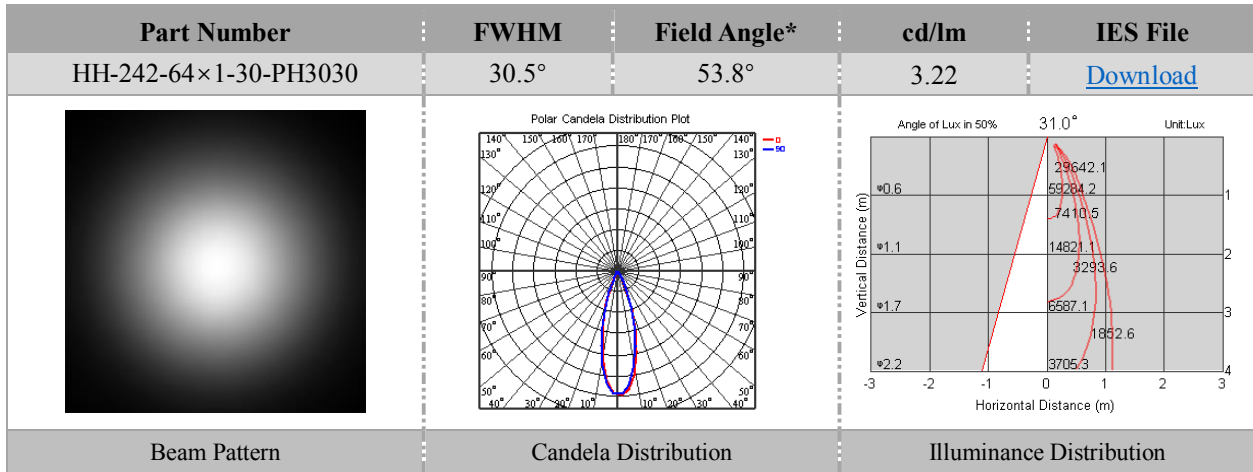
1. If necessary, clean lenses with mild soap, water and soft cloth.
2. Never use any commercial cleaning solvents on lenses, like alcohol.
3. Please handle or install lenses with wearing gloves, skin oils may damage lens or its optical characteristic.



HH-242-64×1-xx-PH3030

Optical Specifications

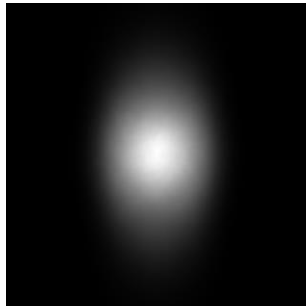
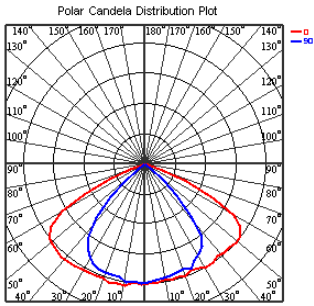
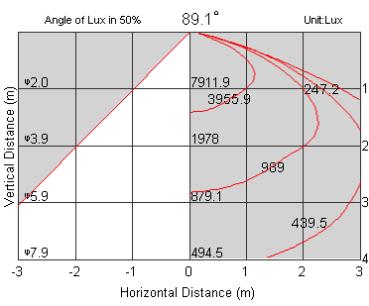
v1.0_20190107



HH-242-64×1-xx-PH3030

Optical Specifications

v1.0_20190107

Part Number	FWHM	Candela Distribution Type	IES File
HH-242-64×1-90120-PH3030	90×120	Type I	Download
			
Beam Pattern	Candela Distribution	Illuminance Distribution	




HH-242-64×1-xx-PH3030

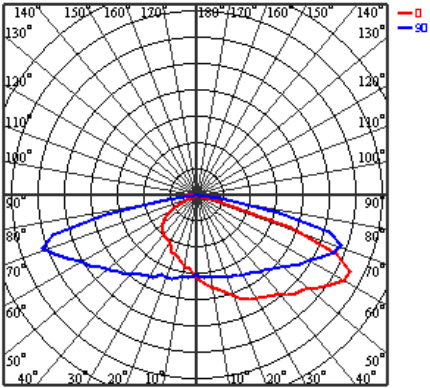
Optical Specifications

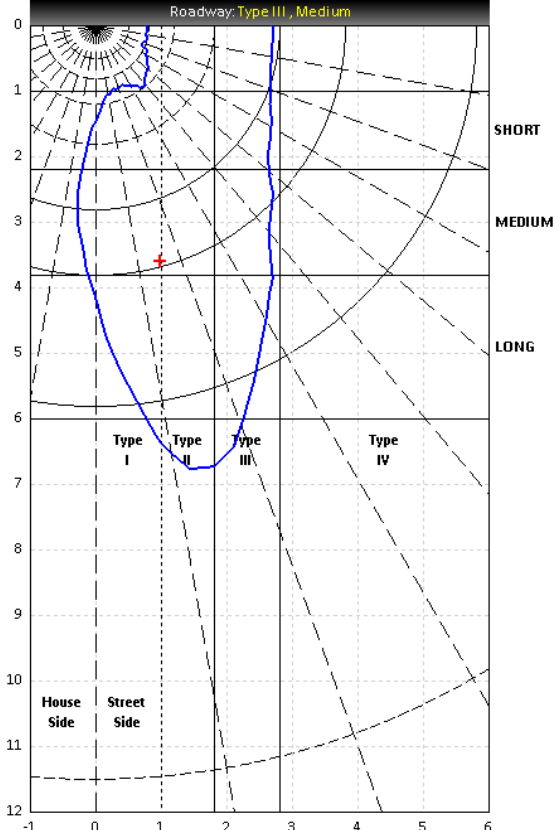
v1.0_20190107

Part Number	FWHM	Candela Distribution Type	IES File
HH-242-64×1-T3M-PH3030	80×150	Type III Medium	Download

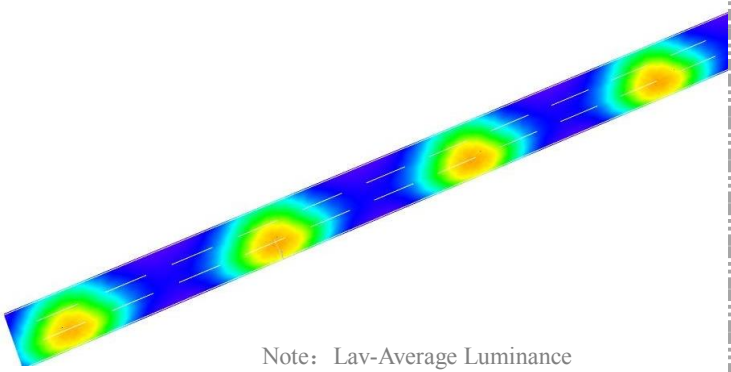


Polar Candela Distribution Plot





DIALux Simulation Result (Three lanes, R3W3, ME4a)



Note: Lav-Average Luminance
 U₀-Brightness Uniformity
 U_L-Brightness longitudinal Uniformity
 TI-Threshold increment
 SR-Surround ratio

Recommend configuration condition	
Luminous Flux	20000lm
Lamp Collocation	Unilateral
Height	10m
Distance	40m
Roadwidth	11.25m
Elevation	0°
Overhang	1m
Result	
Lav	1.05
U ₀	0.44
U _L	0.79
TI(%)	13
SR	0.65



HH-242-64×1-xx-PH3030

Mechanical Specification

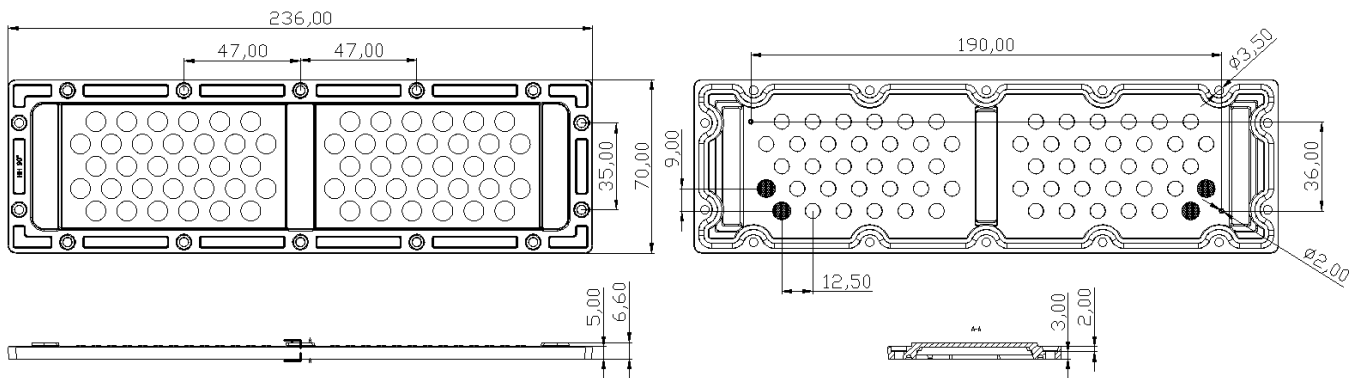
v1.0_20190107

Note: (1) All dimensions are in mm.
(2) All measurements are $\pm 0.15\text{mm}$ unless otherwise indicated.

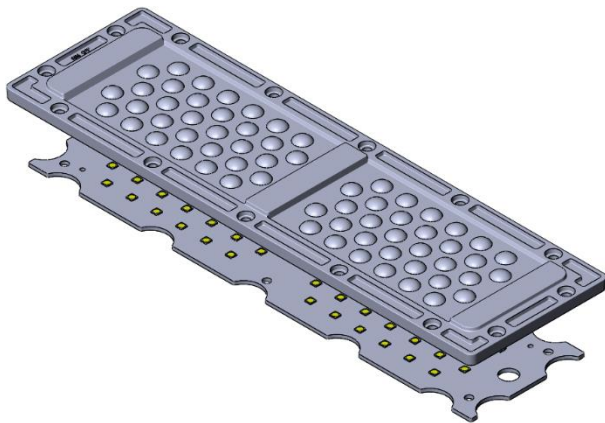
1. Fixing method

Glue Screw Tape Fixing-ring Frame

2. Lens dimension



3. Assembly instruction



4. View assembly lens with MCPCB



HH-242-64×1-xx-PH3030

Package Specifications

v1.0_20190107

Item	Quantity	Total	Size(L*W*H)	G.W
plastic box	-	-	-	
outer box	-	-	-	



Note:

