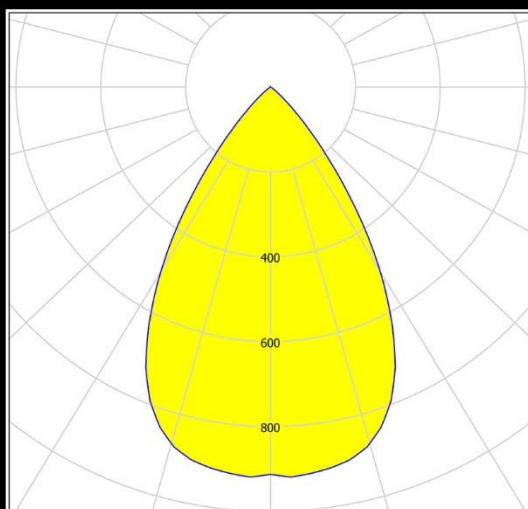
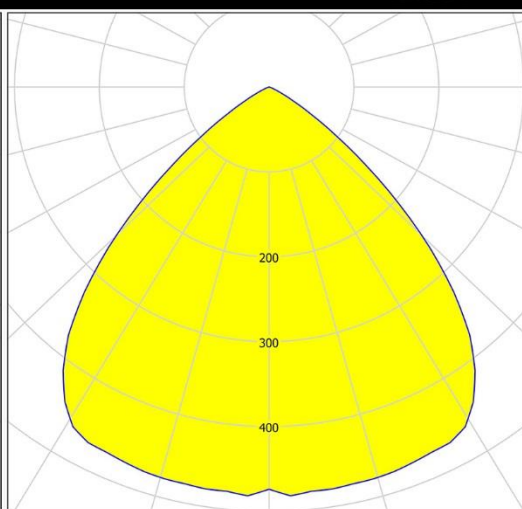


Data Sheet

HH-65A-150×1-xx-PH3030



cd/klm



cd/klm

深圳市汉辉光电有限公司

shenzhen hanhui photoelectric co.,Ltd.

地址：深圳市宝安区石岩街道石龙仔社区恒昌荣高科技科技园3栋3楼
ADD: Area A No.3 Building 3th Floor,Hengchang Rong Industrial
park shiyan,shilong community,Bao'an District,shenzhen,china

TEL:86-755-29232420 FAX:86-755-83723765
http://www.szhanhui.com http://linsen4880.1688.com



Data Sheet

catalogue

General Information	P.1
Optical Specifications	P.2
Mechanical Specifications	P.3
Package Specifications	P.4

*Product Nomenclature

HH-65A-150 × 1-xx-PH3030

H1 H2 H3 H4 H5 H6 H7

H1: The company's initials in Pinyin (Han Hui)

H2: Mold number

H3: Lens quantity

H4: The number of lamp beads inside each optical surface

H5: Lens angle/type (ex: 60、90、T2M、T3M)

H6: LED type (ex: CREE-CR、SAMSUNG-SS、PHILIPS-PH.....)

H7: LED size (ex:2835、3030、3535、.....)



HH-65A-150×1-xx-PH3030

General Information

v1.0_20181102

◆ Features & Typical Applications

- Available with 2 beam angles
- High efficiency
- optimized Uniformity
- Lens without Holder
- High Bay Light

◆ Material Information

Lens Material: PC 1225Z

Operating Temperature range $-40^{\circ}\text{C} \sim +110^{\circ}\text{C}$ (upper limit $+120^{\circ}\text{C}$).

Storage Temperature range $-40^{\circ}\text{C} \sim +110^{\circ}\text{C}$ (upper limit $+120^{\circ}\text{C}$).

*Average transmittance in visible spectrum $400\text{nm} \sim 700\text{nm} > 90\%$.

◆ Usage and Maintenance

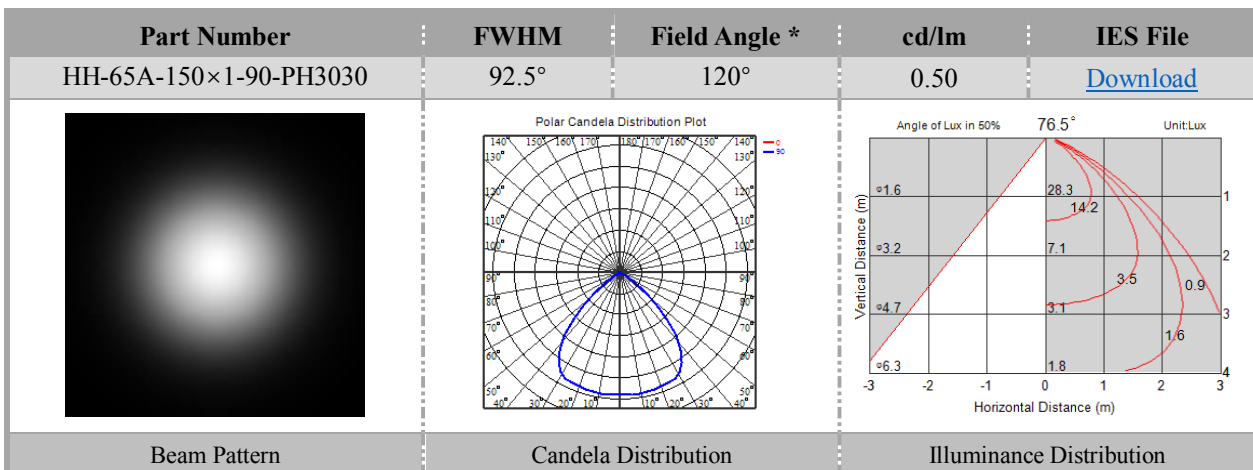
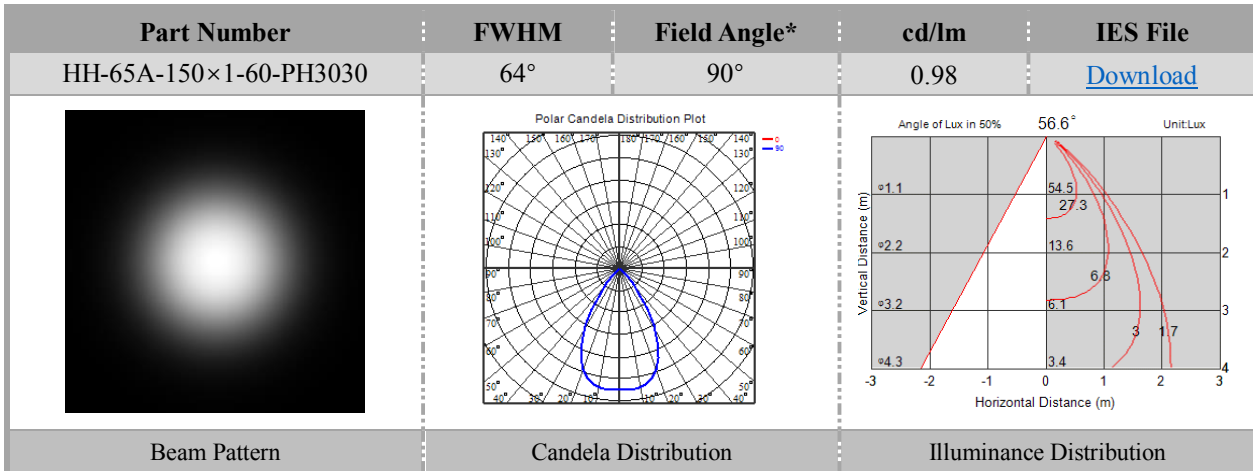
1. If necessary, clean lenses with mild soap, water and soft cloth.
2. Never use any commercial cleaning solvents on lenses, like alcohol.
3. Please handle or install lenses with wearing gloves, skin oils may damage lens or its optical characteristic.



HH-65A-150×1-xx-PH3030

Optical Specifications

v1.0_20181102



HH-65A-150×1-xx-PH3030

Mechanical Specification

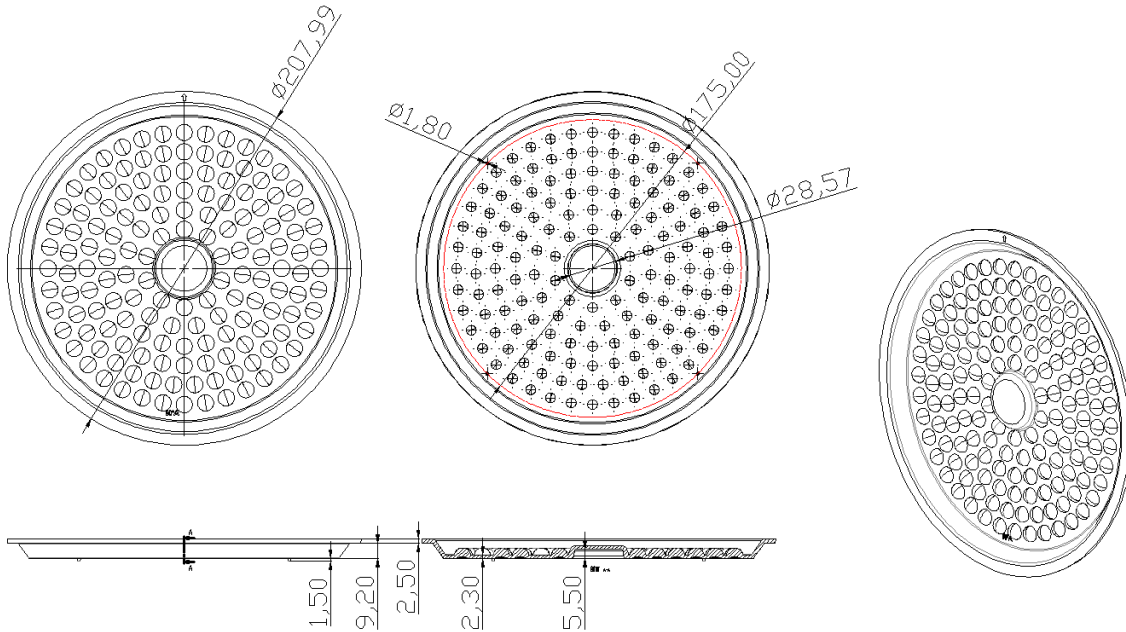
v1.0_20181102

1. Fixing method

Note: (1) All dimensions are in mm.
(2) All measurements are ± 0.15 mm unless otherwise indicated.

- Glue
 Screw
 Tape
 Fixing-ring
 Frame

2. Lens dimension



3. Assembly instruction

4. View assembly lens with MCPCB

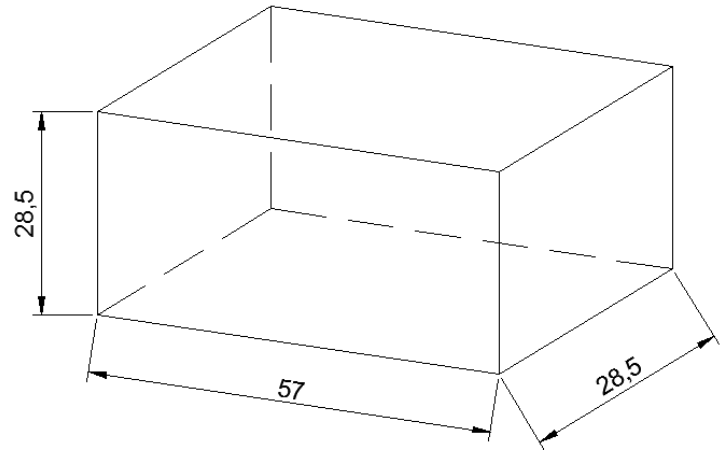
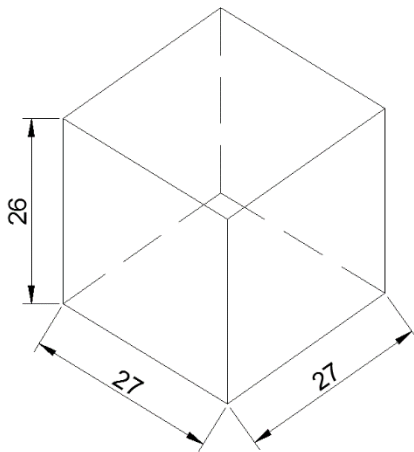


HH-65A-150×1-xx-PH3030

Package Specifications

v1.0_20181102

Item	Quantity	Total	Size(L*W*H)	G.W
plastic box	-	40 PCS	27*27*26cm	
outer box	2 plastic box/outer box	80 PCS	57*28.5*28.5cm	



Note:

