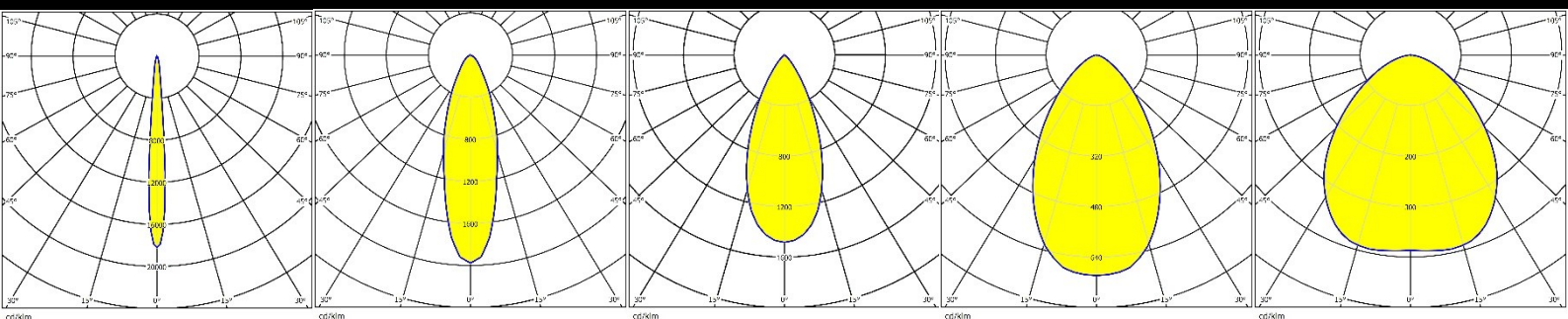
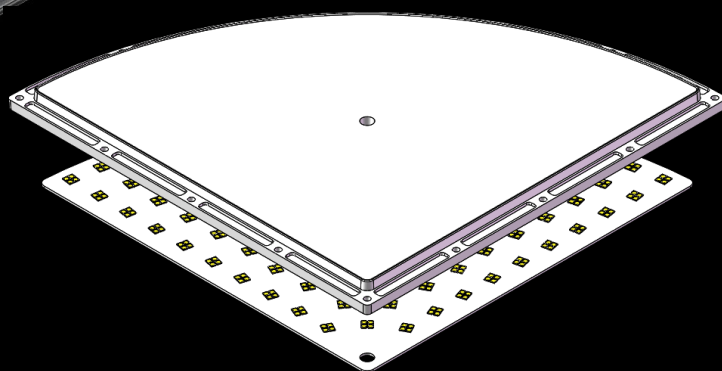
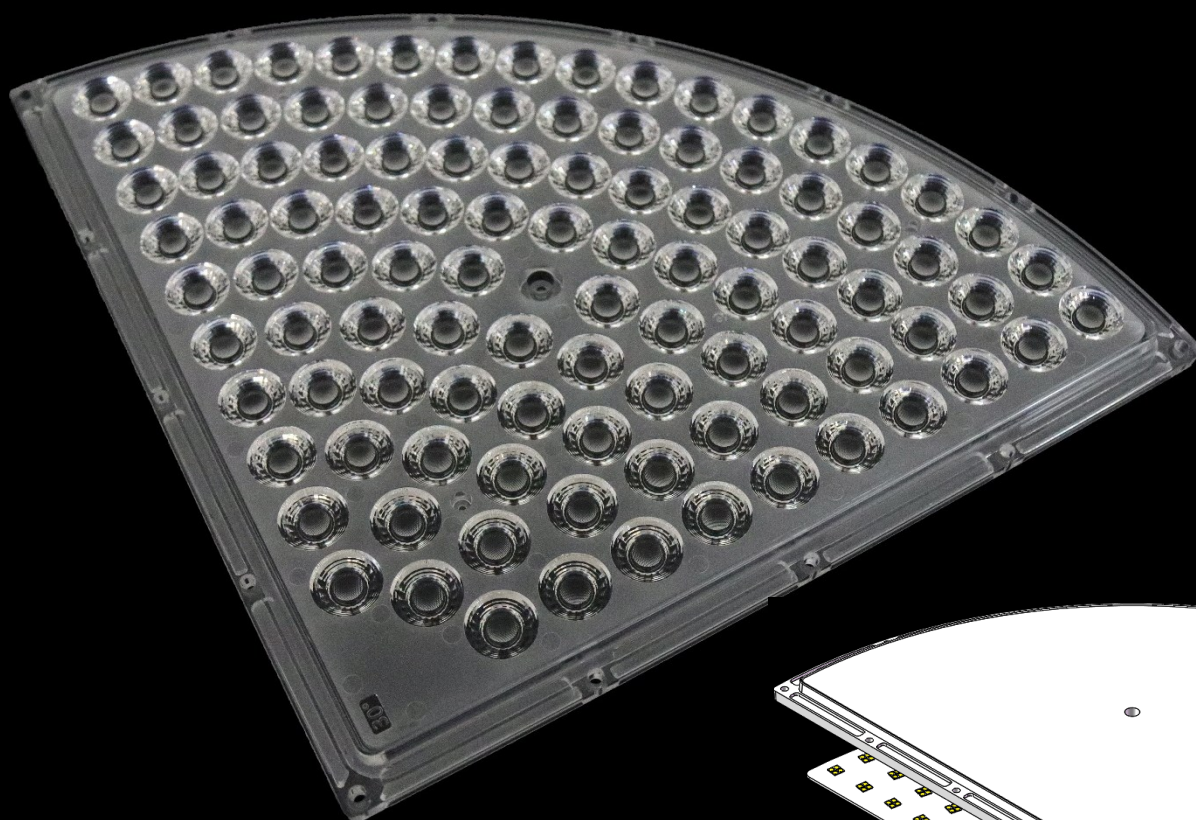


# Data Sheet

## HH-470-102×4-xx-PH3030



**深圳市汉辉光电有限公司**  
shenzhen hanhui photoelectric co.,Ltd.

地址：深圳市宝安区石岩街道石龙仔社区恒昌荣高科技科技园3栋3楼  
ADD: Area A No.3 Building 3th Floor,Hengchang Rong Industrial  
park shiyan,shilong community,Bao'an District,shenzhen,china  
TEL:86-755-29232420 FAX:86-755-83723765  
<http://www.szhanhui.com> <http://linsen4880.1688.com>



# Data Sheet

## catalogue

General Information	.....	P.1
Optical Specifications	.....	P.2-3
Mechanical Specifications	.....	P.4
Package Specifications	.....	P.5

### \*Product Nomenclature

HH-470-102 × 4-xx-PH3030

H1      H2      H3      H4    H5      H6      H7

H1: The company's initials in Pinyin (Han Hui)

H2: Mold number

H3: Lens quantity

H4: The number of lamp beads inside each optical surface

H5: Lens angle/type (ex: 60、90、T2M、T3M)

H6: LED type (ex: CREE-CR、SAMSUNG-SS、PHILIPS-PH.....)

H7: LED size (ex:2835、3030、3535、.....)



# HH-470-102×4-xx-PH3030

## General Information

v1.0\_20220425

### ◆ Features & Typical Applications

- Available with 5 beam angles
- High efficiency
- optimized Uniformity
- Lens without Holder
- Stadium Lamp

### ◆ Material Information

Lens Material: PC 1225Z

Operating Temperature range  $-40^{\circ}\text{C} \sim +110^{\circ}\text{C}$  (upper limit  $+120^{\circ}\text{C}$ ).

Storage Temperature range  $-40^{\circ}\text{C} \sim +110^{\circ}\text{C}$  (upper limit  $+120^{\circ}\text{C}$ ).

\*Average transmittance in visible spectrum  $400\text{nm} \sim 700\text{nm} > 90\%$ .

### ◆ Usage and Maintenance

1. If necessary, clean lenses with mild soap, water and soft cloth.
2. Never use any commercial cleaning solvents on lenses, like alcohol.
3. Please handle or install lenses with wearing gloves, skin oils may damage lens or its optical characteristic.

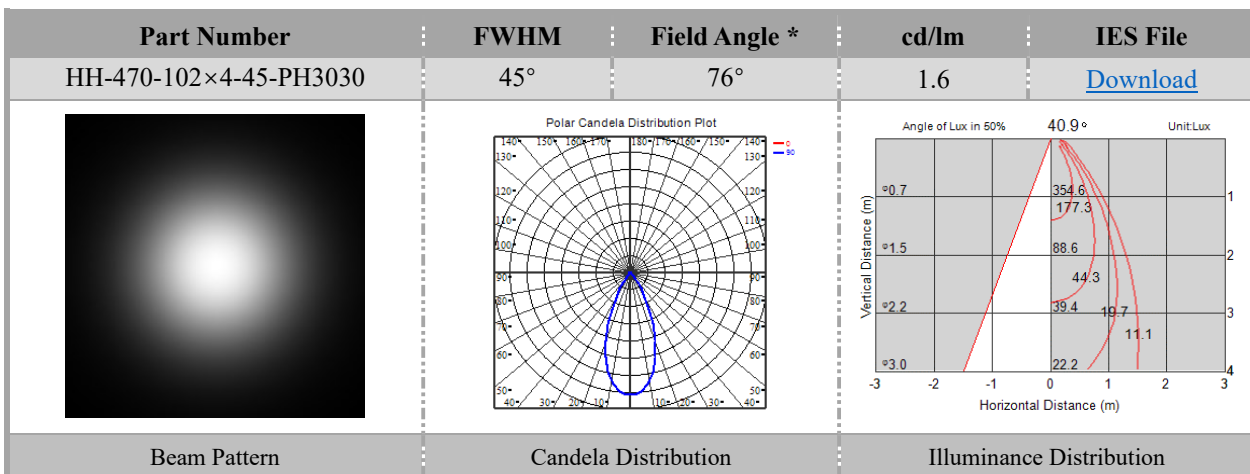
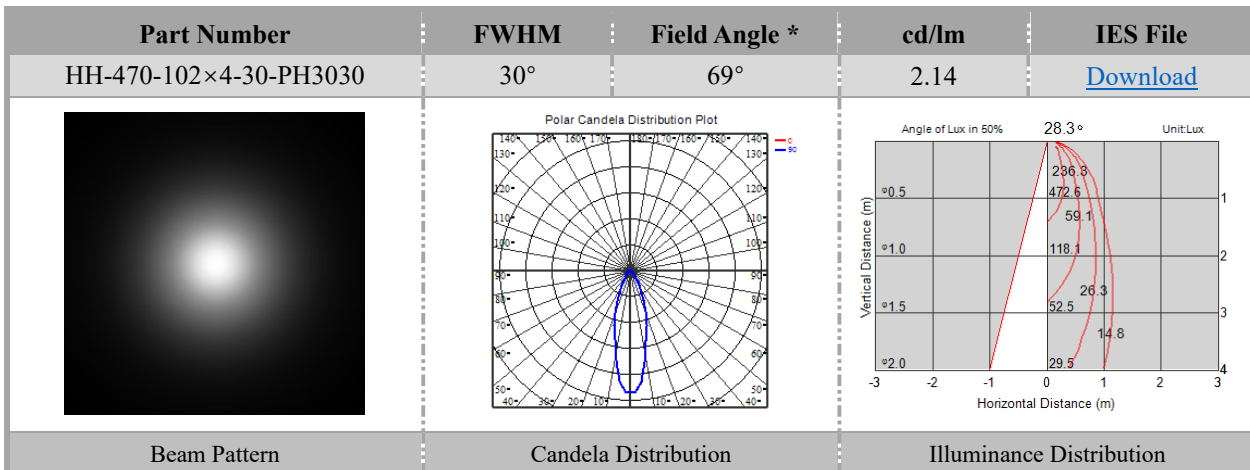
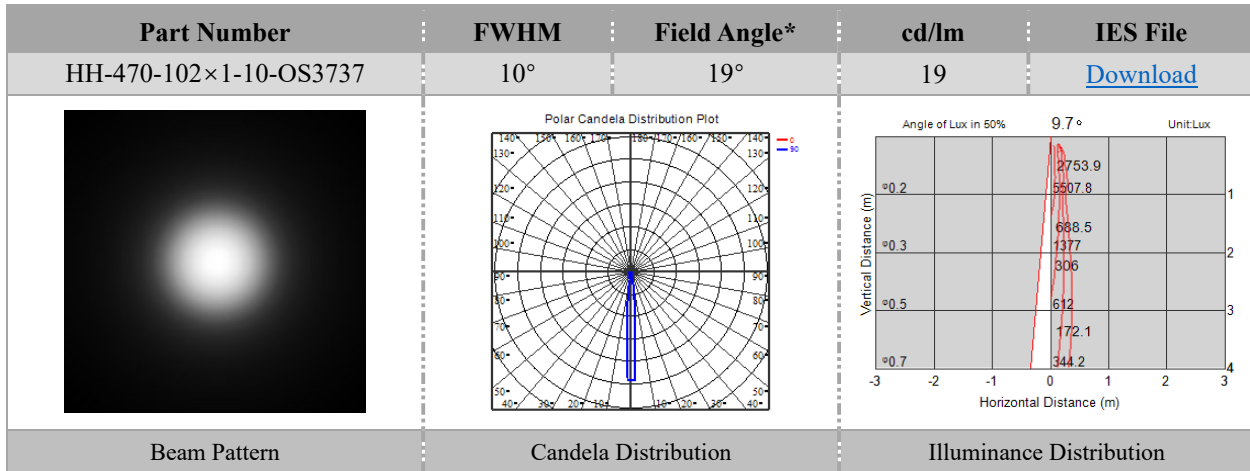




# HH-470-102×4-xx-PH3030

## Optical Specifications

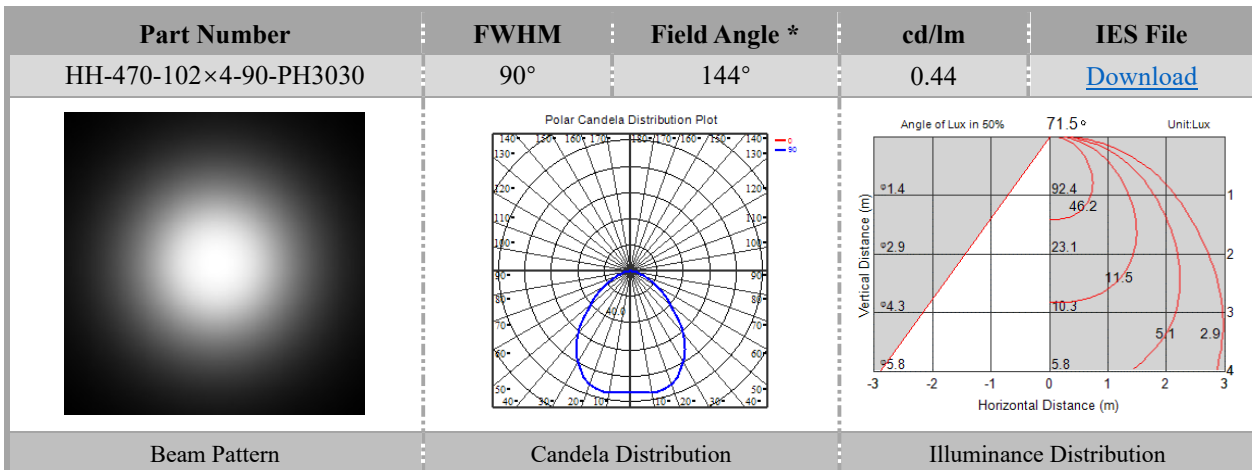
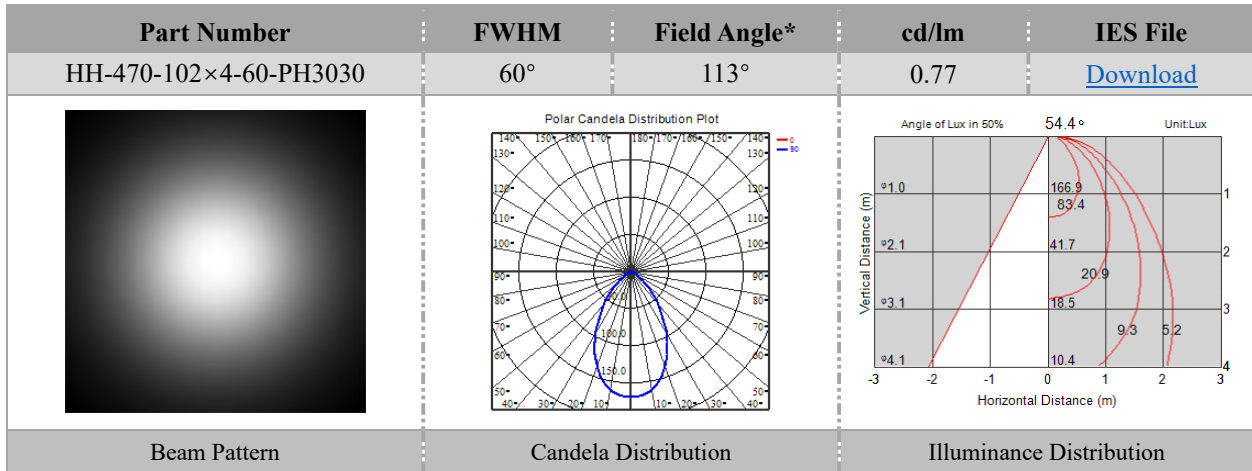
v1.0\_20220425



# HH-470-102×4-xx-PH3030

## Optical Specifications

v1.0\_20220425



# HH-470-102×4-xx-PH3030

## Mechanical Specification

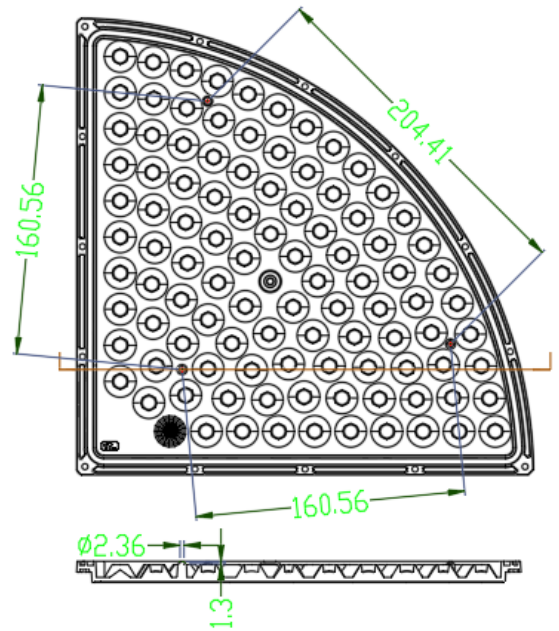
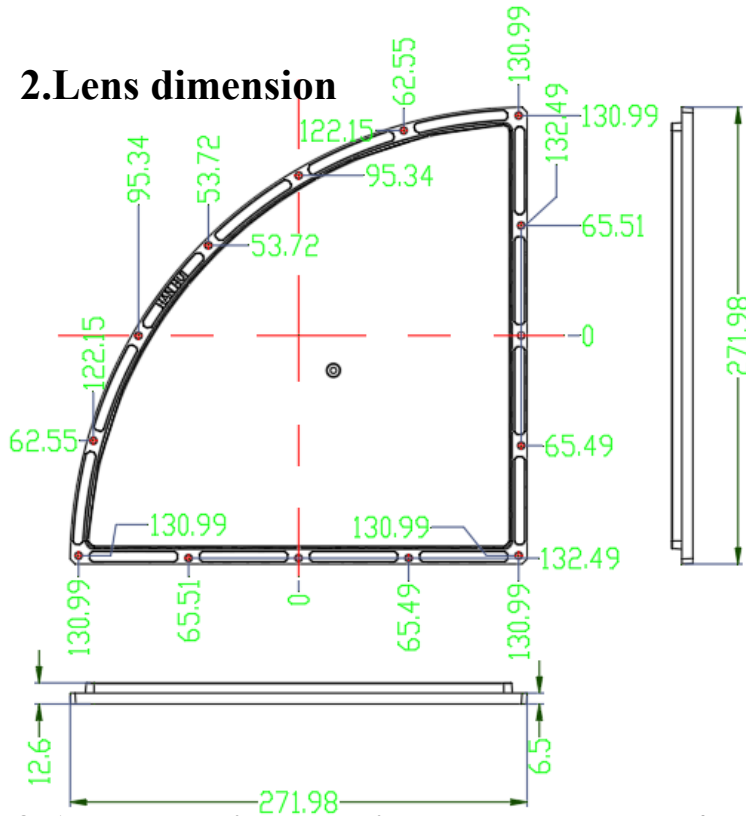
v1.0\_20220425

Note: (1) All dimensions are in mm.  
(2) All measurements are  $\pm 0.15\text{mm}$  unless otherwise indicated.

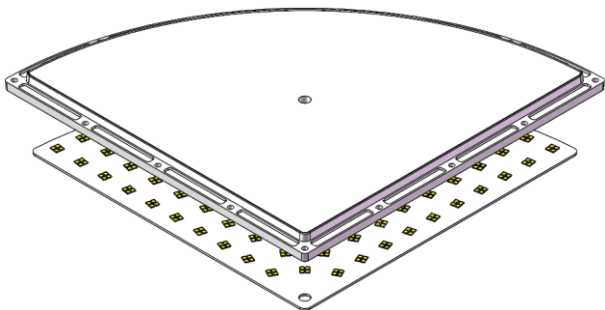
### 1. Fixing method

- Glue       Screw       Tape       Fixing-ring       Frame

### 2. Lens dimension



### 3. Assembly instruction



### 4. View assembly lens with MCPCB



# HH-470-102×4-xx-PH3030

## Package Specifications

v1.0\_20220425

Item	Quantity	Total	Size(L*W*H)	G.W
plastic box				
outer box				



Note:

