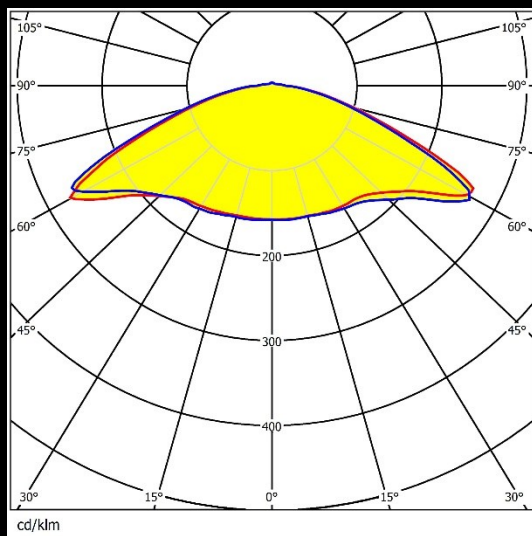
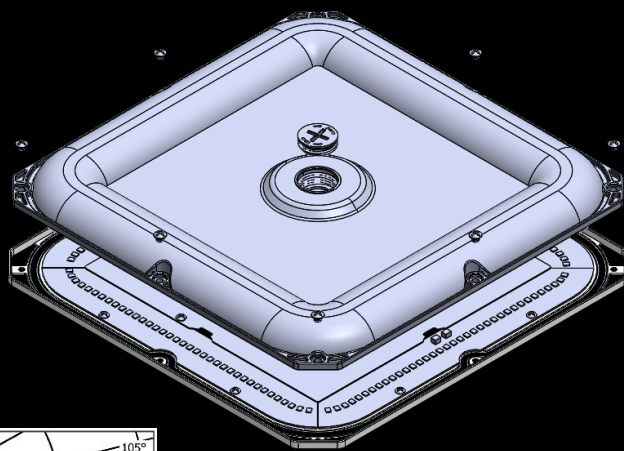


Data Sheet

HH-456-152×1-xx-PH2835



深圳市汉辉光电有限公司

Shenzhen Hanhui Photoelectricity Co.,Ltd

地址：深圳市宝安区石岩街道水田社区石龙仔路71号1栋
ADD：Building 1, No. 71, Shilongzai Road, Shuitian Community,
Shiyan Street, Bao'an District, Shenzhen, China

TEL:86-755-29232420 FAX:86-755-83723765

http://www.szhanhui.com http://linsen4880.1688.com



Data Sheet

catalogue

General Information	P.1
Optical Specifications	P.2
Mechanical Specifications.....	P.3
Package Specifications	P.4

*Product Nomenclature

HH-456-152 × 1-xx-PH2835

H1 H2 H3 H4 H5 H6 H7

H1: The company's initials in Pinyin (Han Hui)

H2: Mold number

H3: Lens quantity

H4: The number of lamp beads inside each optical surface

H5: Lens angle/type (ex: 60、90、T2M、T3M)

H6: LED type (ex: CREE-CR、SAMSUNG-SS、PHILIPS-PH.....)

H7: LED size (ex:2835、3030、3535、.....)



HH-456-152×1-xx-PH2835

General Information

v1.0_20221214

◆ Features & Typical Applications

- Available with 1 beam angles
- High efficiency
- optimized Uniformity
- Lens without Holder
- Garage lights

◆ Material Information

Lens Material: PC 1225Z

Operating Temperature range $-40^{\circ}\text{C} \sim +110^{\circ}\text{C}$ (upper limit $+120^{\circ}\text{C}$).

Storage Temperature range $-40^{\circ}\text{C} \sim +110^{\circ}\text{C}$ (upper limit $+120^{\circ}\text{C}$).

*Average transmittance in visible spectrum $400\text{nm} \sim 700\text{nm} > 90\%$.

◆ Usage and Maintenance

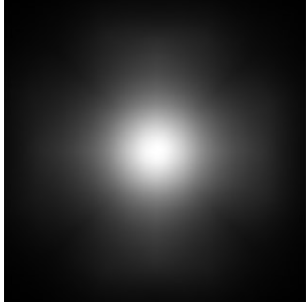
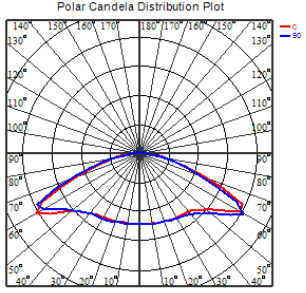
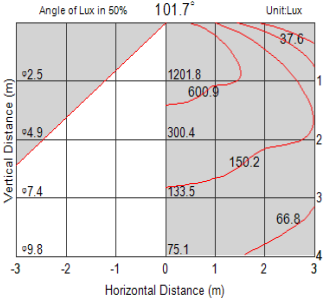
1. If necessary, clean lenses with mild soap, water and soft cloth.
2. Never use any commercial cleaning solvents on lenses, like alcohol.
3. Please handle or install lenses with wearing gloves, skin oils may damage lens or its optical characteristic.



HH-456-152×1-xx-PH2835

Optical Specifications

v1.0_20221214

Part Number		FWHM	Field Angle*	Type	IES File
HH-456-152×1-145-PH2835		145°	178°	Type V	Download
					
Beam Pattern		Candela Distribution		Illuminance Distribution	
SSL Technical Requirements V4.3					
Primary Use Designation M	Minimum Light Output(lm)	Zone/Spacing Criteria/Beam Angle	ZLD/SC/BA Nominal Requirement	Test	
Parking Garage Luminaires 2	60-80°	≥ 30%	-3%	35.4%	
	70-80°	≤ 25%	+3%	14%	
ZONAL LUMEN SUMMARY					
Zone	Lumens	%Lamp	%Fixt		
0-20	459.97	6.00	6.00		
0-30	1031.05	13.50	13.50		
0-40	1820.91	23.90	23.90		
0-60	4179.94	54.80	54.80		
0-80	6879.43	90.10	90.10		
0-90	7325.52	96.00	96.00		
10-90	7210.18	94.40	94.40		
20-40	1360.94	17.80	17.80		
20-50	2379.28	31.20	31.20		
40-70	3989.61	52.30	52.30		
60-80	2699.49	35.40	35.40		
70-80	1068.91	14.00	14.00		
80-90	446.09	5.80	5.80		
90-110	186.25	2.40	2.40		
90-120	220.99	2.90	2.90		
90-130	246.85	3.20	3.20		
90-150	285.15	3.70	3.70		
90-180	308.38	4.00	4.00		
110-180	122.14	1.60	1.60		
0-180	7633.9	100.00	100.00		
Total Luminaire Efficiency = 100.00%					



HH-456-152×1-xx-PH2835

Mechanical Specification

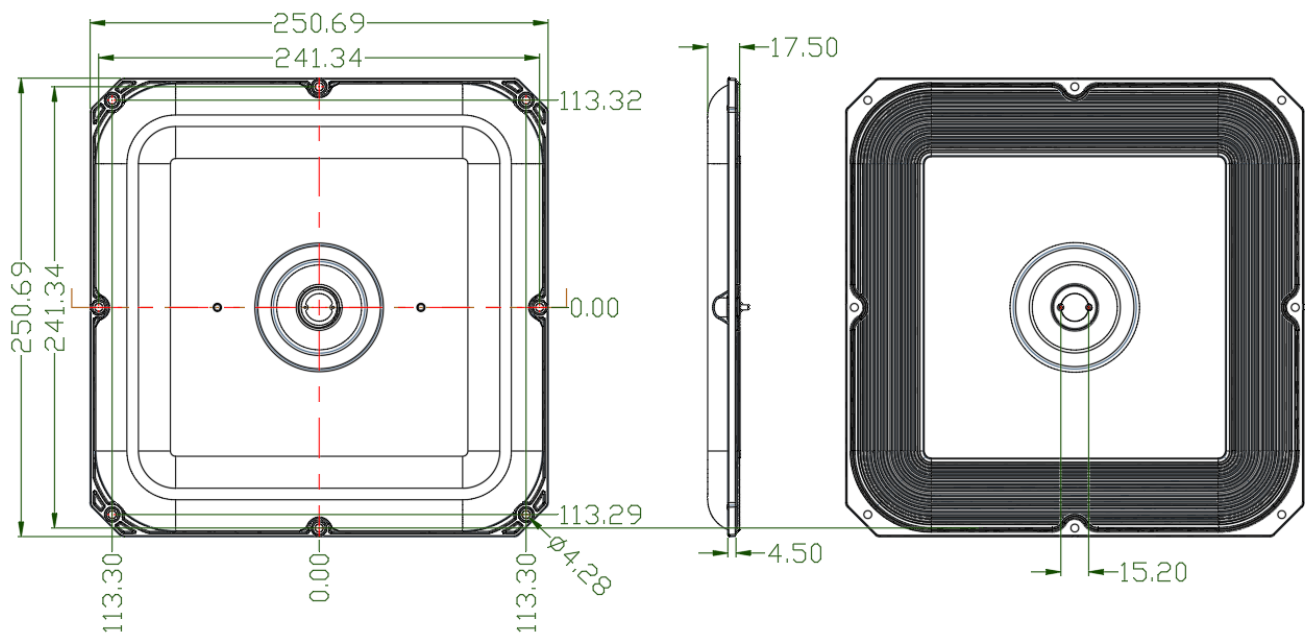
v1.0_20221214

Note: (1) All dimensions are in mm.
(2) All measurements are $\pm 0.15\text{mm}$ unless otherwise indicated.

1. Fixing method

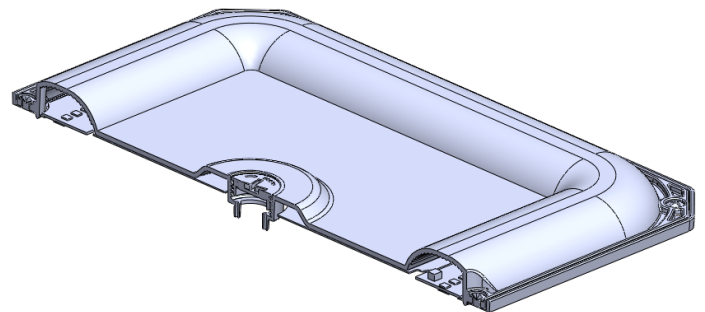
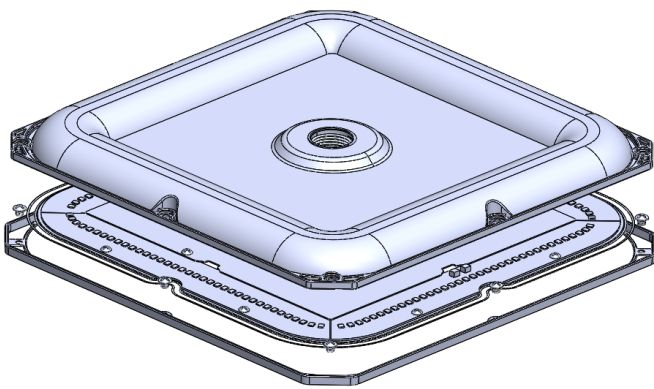
Glue Screw Tape Fixing-ring Frame

2. Lens dimension



3. Assembly instruction

4. View assembly lens with MCPCB



HH-456-152×1-xx-PH2835

Package Specifications

v1.0_20221214

Item	Quantity	Total	Size(L*W*H)	G.W
plastic box				
outer box				



Note:

