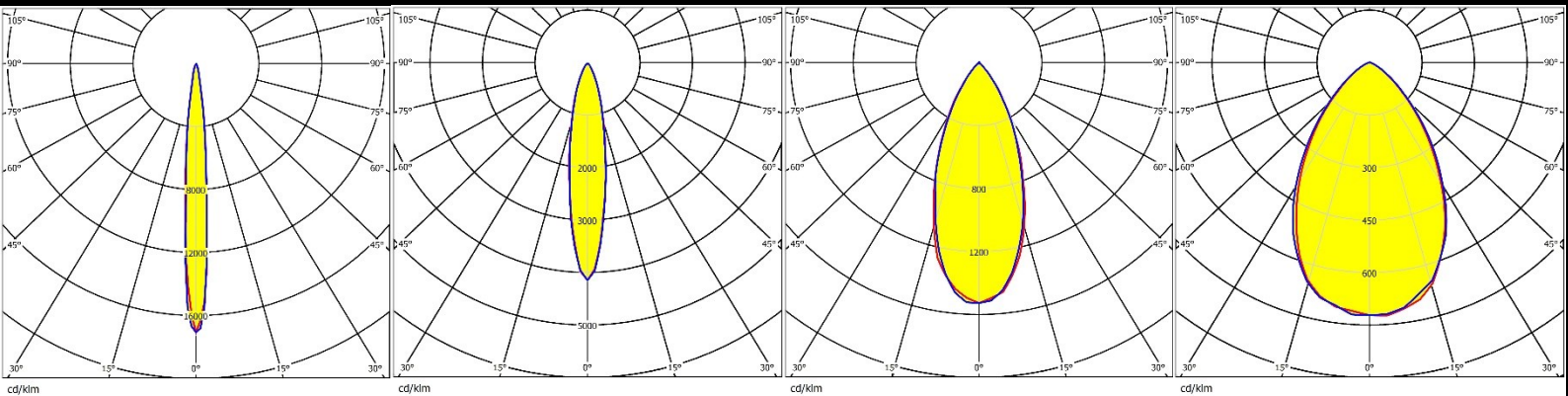
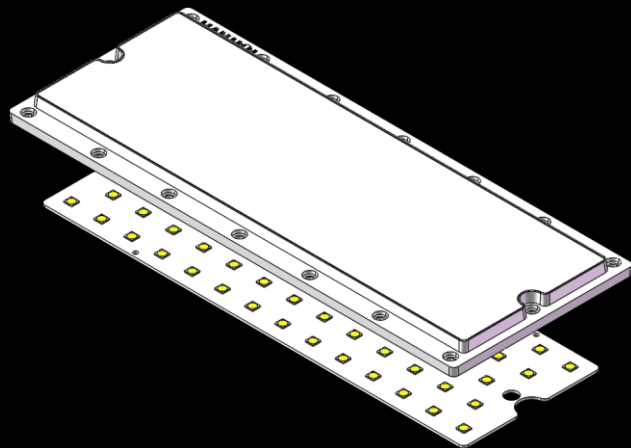
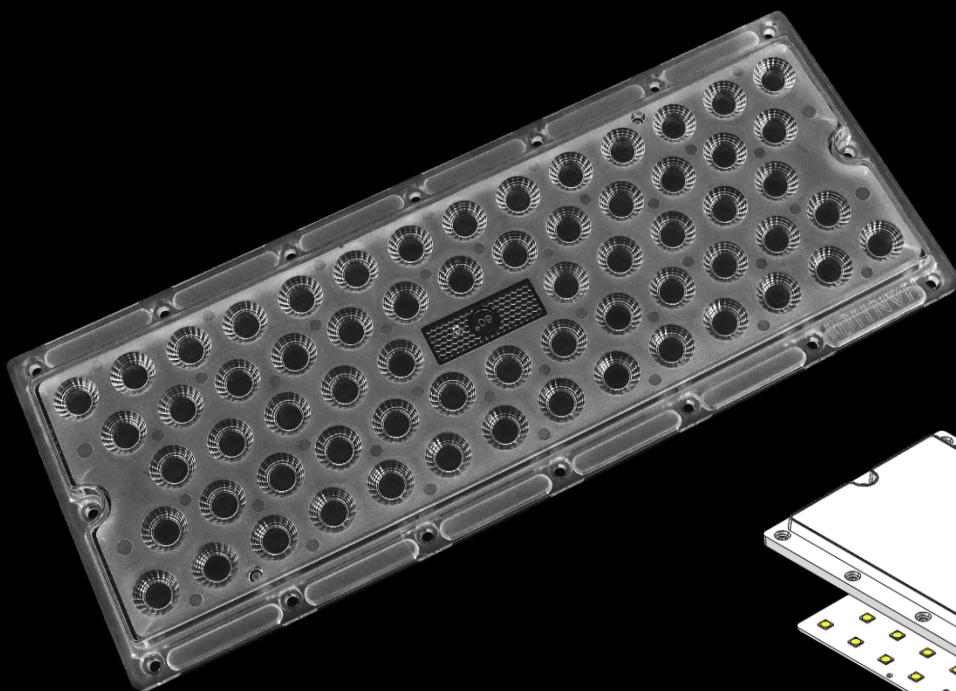


# Data Sheet

## HH-529-64×1-xx-PH5050



**深圳市汉辉光电有限公司**

Shenzhen Hanhui Photoelectricity Co.,Ltd

地址：深圳市宝安区石岩街道水田社区石龙仔路71号1栋

ADD：Building 1, No. 71, Shilongzai Road, Shuitian Community,

Shiyan Street, Bao'an District, Shenzhen,China

TEL:86-755-29232420

FAX:86-755-83723765

http://www.szhanhui.com http://linsen4880.1688.com



# Data Sheet

## catalogue

General Information	.....P.1
Optical Specifications	.....P.2-3
Mechanical Specifications	.....P.4
Package Specifications	..... P.5

### \*Product Nomenclature

HH-529-64 × 1-xx-PH5050

H1      H2      H3      H4      H5      H6      H7

H1: The company's initials in Pinyin (Han Hui)

H2: Mold number

H3: Lens quantity

H4: The number of lamp beads inside each optical surface

H5: Lens angle/type (ex: 60、90、T2M、T3M)

H6: LED type (ex: CREE-CR、SAMSUNG-SS、PHILIPS-PH.....)

H7: LED size (ex:2835、3030、3535、.....)



# HH-529-64×1-xx-PH5050

## General Information

v1.0\_20230227

### ◆ Features & Typical Applications

- Available with 4 beam angles
- High efficiency
- optimized Uniformity
- Lens without Holder
- Stadium Lamp

### ◆ Material Information

Lens Material: PC 1225Z

Operating Temperature range  $-40^{\circ}\text{C} \sim +110^{\circ}\text{C}$  (upper limit  $+120^{\circ}\text{C}$ ).

Storage Temperature range  $-40^{\circ}\text{C} \sim +110^{\circ}\text{C}$  (upper limit  $+120^{\circ}\text{C}$ ).

\*Average transmittance in visible spectrum  $400\text{nm} \sim 700\text{nm} > 90\%$ .

### ◆ Usage and Maintenance

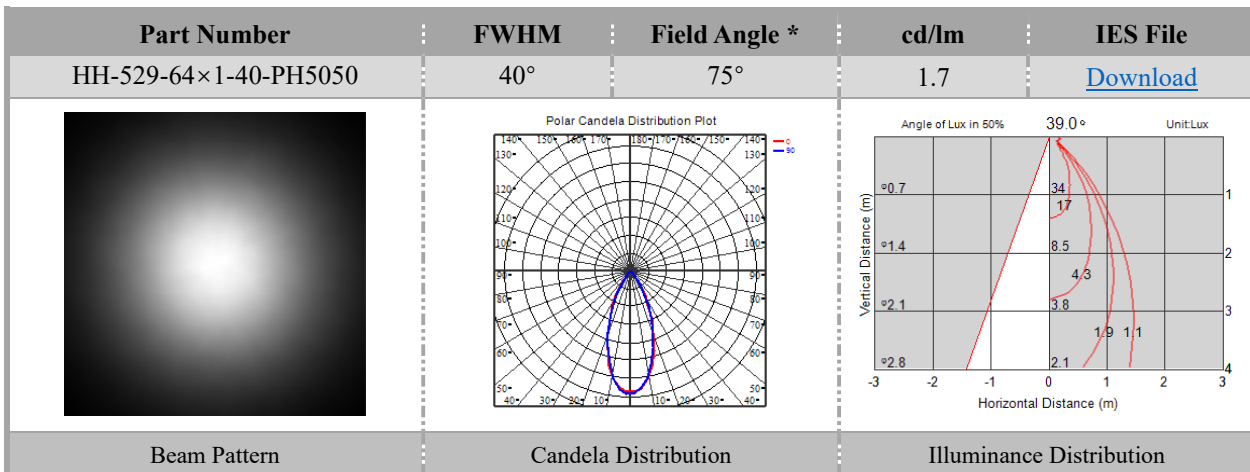
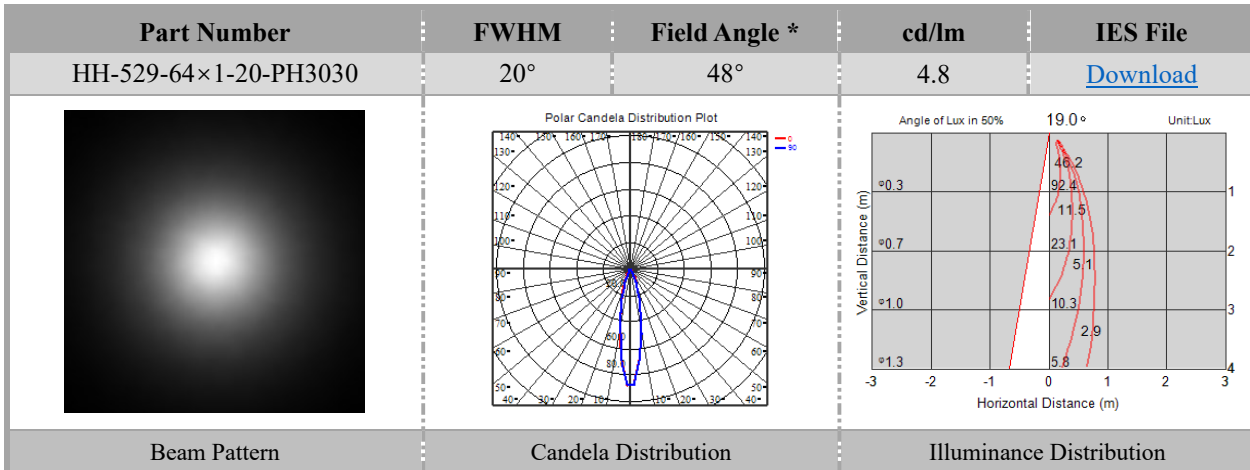
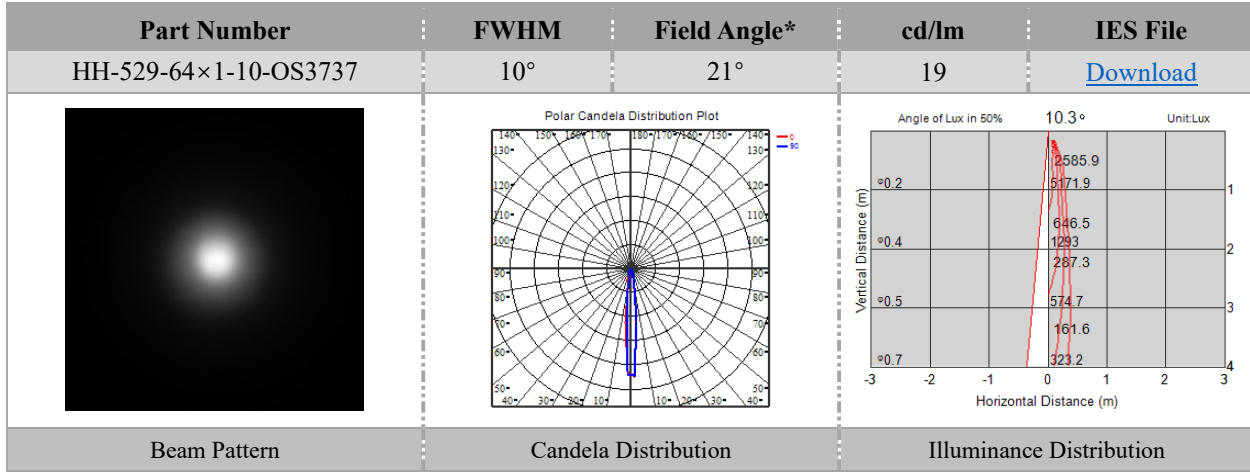
1. If necessary, clean lenses with mild soap, water and soft cloth.
2. Never use any commercial cleaning solvents on lenses, like alcohol.
3. Please handle or install lenses with wearing gloves, skin oils may damage lens or its optical characteristic.



# HH-529-64×1-xx-PH5050

## Optical Specifications

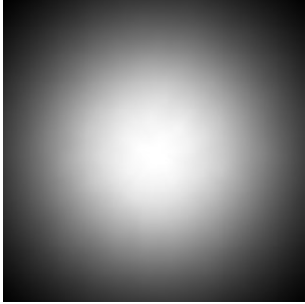
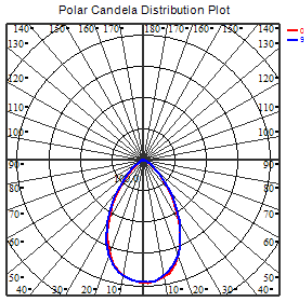
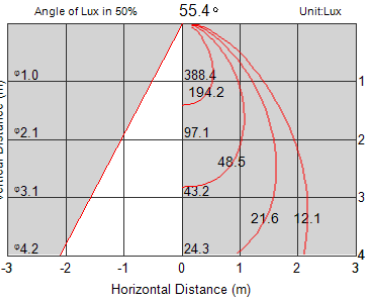
v1.0\_20230227



# HH-529-64×1-xx-PH5050

## Optical Specifications

v1.0\_20230227

Part Number	FWHM	Field Angle*	cd/lm	IES File
HH-529-64×1-60-PH3030	60°	108°	0.8	<a href="#">Download</a>
				
Beam Pattern	Candela Distribution	Illuminance Distribution		



# HH-529-64×1-xx-PH5050

## Mechanical Specification

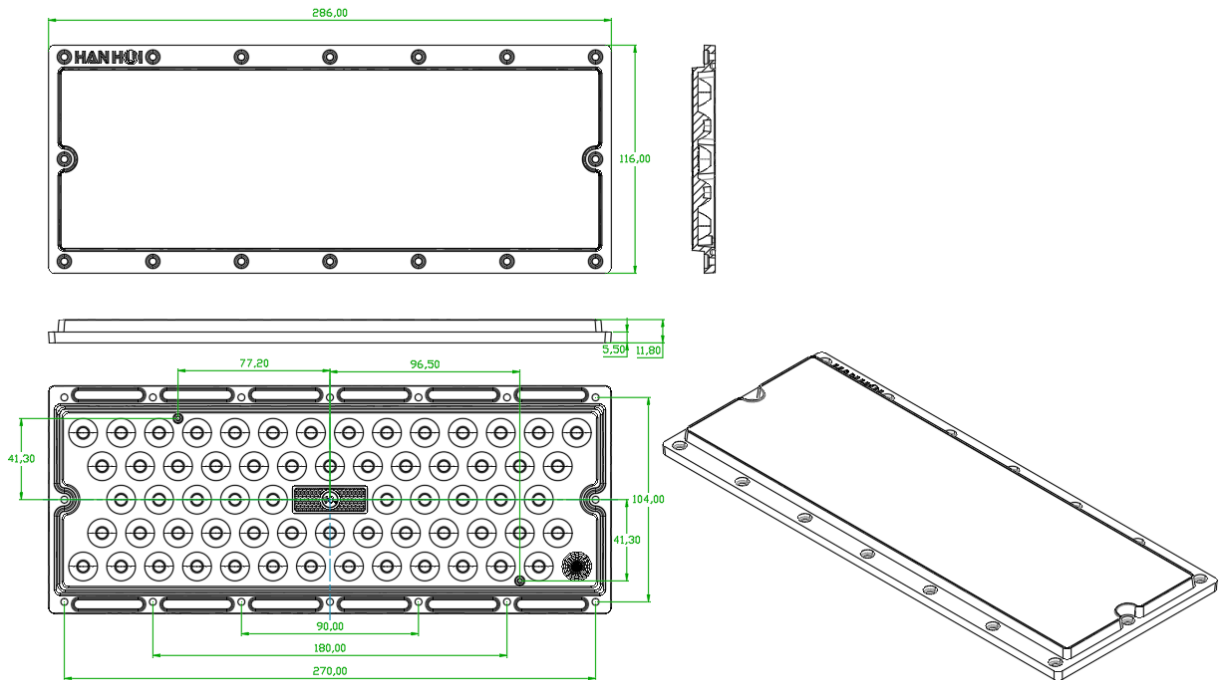
v1.0\_20230227

Note: (1) All dimensions are in mm.  
 (2) All measurements are  $\pm 0.15\text{mm}$  unless otherwise indicated.

### 1. Fixing method

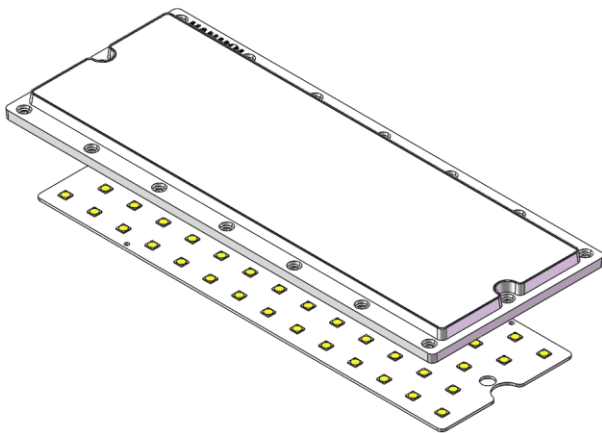
- Glue     
  Screw     
  Tape     
  Fixing-ring     
  Frame

### 2. Lens dimension



### 3. Assembly instruction

### 4. View assembly lens with MCPCB



# HH-529-64×1-xx-PH5050

## Package Specifications

v1.0\_20230227

Item	Quantity	Total	Size(L*W*H)	G.W
plastic box				
outer box				



Note:

